

MaRT

MANAQ AL RABIE CO

MANAQ AL RABIE CO

Web: www.manaqtrading.com

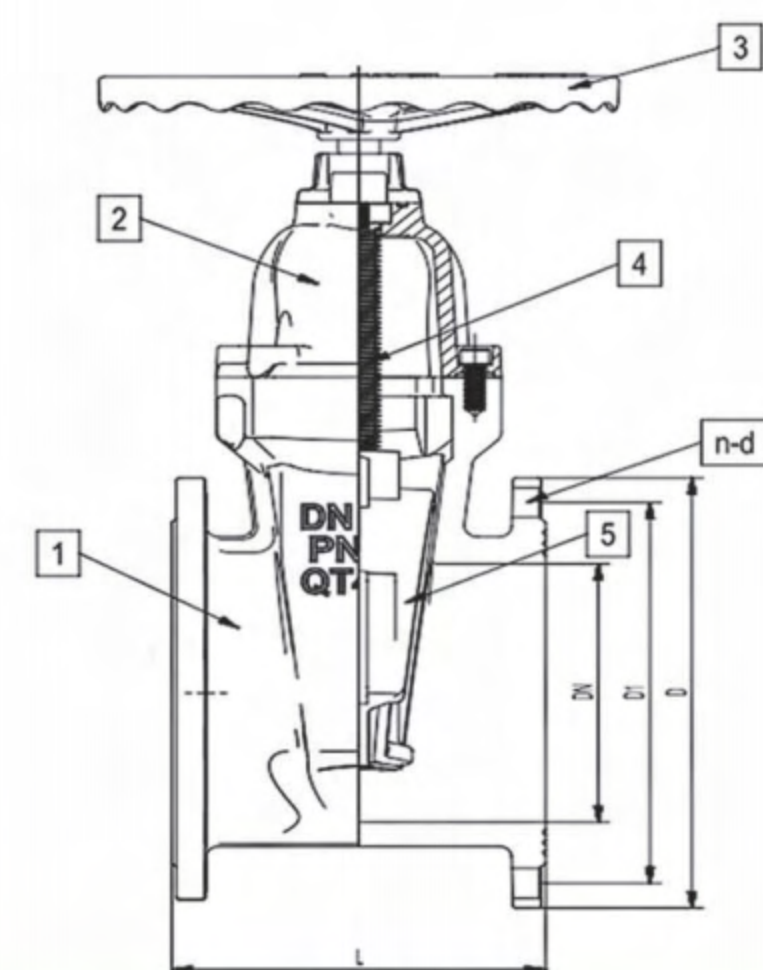


产品目录

TABLE OF COMTENT

Soft-Sealing Gate Valve Din Standard Z45X	1
Soft-Sealing Gate Valve BS5163 Standard Z45X	2
Soft-Sealing Rising Gate Valve BS5163 Standard Z41X	3
Z41X/W-10/16 Rising Gate Valve	4
Rubber Check Valve	5
Water Control Valve	6
Swing Check Valve H44T	7
Silence Check Valve HC41X-16	8
Flanged Type Foot Valve	9
Y-Strainer	10
Dual Check Valve	11
Butterfly Valve Wafer Lever/Turbine	12
Flanged Butterfly Valve	13
Wafer Butterfly Valve	14
Wafer Butterfly Valve(CF8)	15
Wafer Butterfly Valve	16
Globe Valve Z41H-150/300LB	17
Gate Valve Z41H-150/300LB	18
Swing Check Valve H44H-150LB/300LB	19
2 pcs Ball Valve Q41F-150LB	20
Ansi Ball Valve 2pcs	21-22
Ansi Ball Valve 3pcs	23-24
Forged Steel Globe Valve	25
Forged Steel Gate Valve	26
Union	27
Rubber Flange Joints	28
BS4504 PN10 Plate Flanges	29
BS4504 PN16 Plate Flanges	30
BS4504 PN10 Weld Neck Flanges	31-32
BS4504 So PN10 Flanges	33
BS4504 So PN16 Flanges	34
BS4504 PN16 Weld Neck	35-36
Class150 Flanges Asme B16.5-2013	37
Class150 Flanges Asme B16.5-2013	38
Class300 Flanges Asme B16.5-2013	39
Class300 Flanges Asme B16.5-2013	40
Din 10Bar	41-42
Din 16Bar	43-44
Jis5K	45-46
Jis10K	47-48
Straight Outlet Tee & Cap	49
Elbow(45°,90°,180°)	50

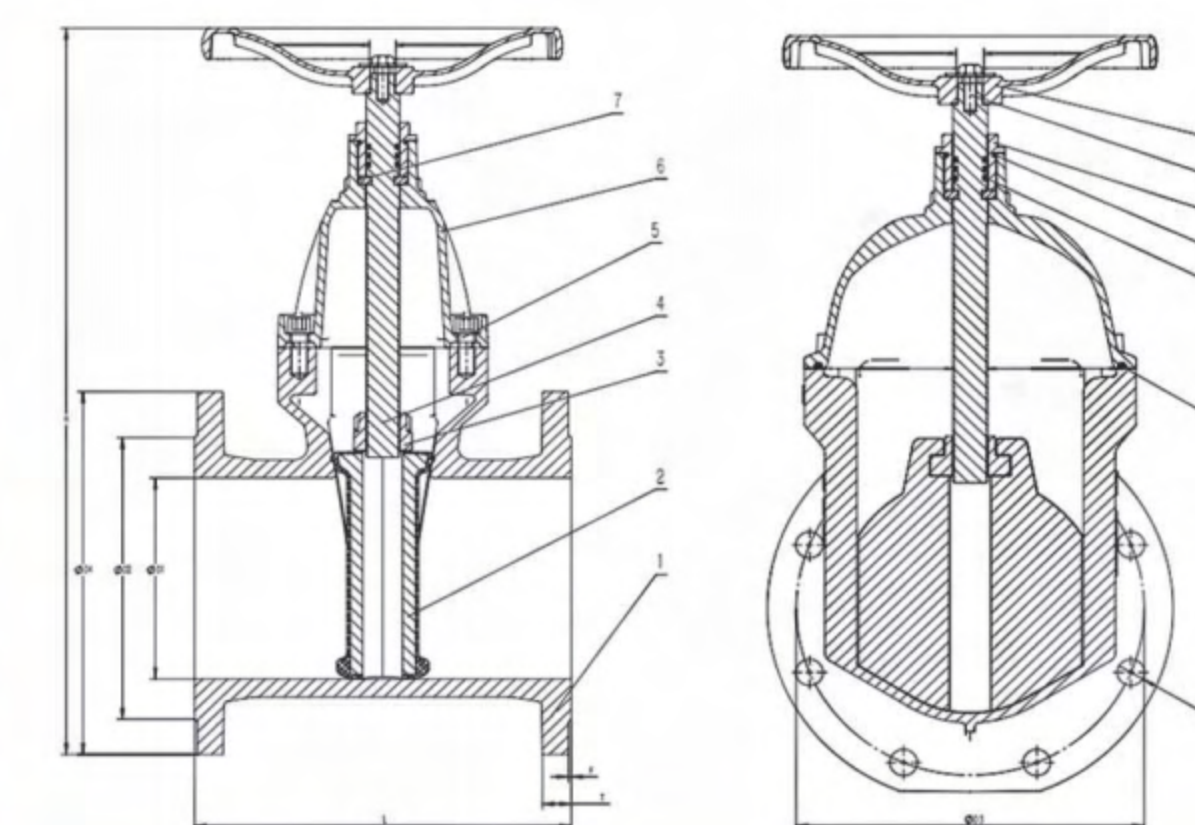
**SOFT-SEALING GATE VALVE
DIN STANDARD Z45X**



Item	Part name	Material	Item	Part name	Material
1	Body	GGG50	4	Stem	Carbon steel/SS420
2	Bonnet	GGG50	5	Disc	GGG50+EPDM
3	Handwheel	Ductile iron			

DN	L	OD	PN10		OD	PN16	
		D-10kg	D1	N-d	D-16kg	D1	N-d
DN50	150	163	125	4-19	163	125	4-19
DN65	170	183	145	4-19	183	145	4-19
DN80	180	198	160	8-19	198	160	8-19
DN100	190	218	180	8-19	218	180	8-19
DN125	200	248	210	8-19	248	210	8-19
DN150	210	283	240	8-23	283	240	8-23
DN200	230	333	295	8-23	333	295	12-23
DN250	250	403	350	12-23	403	355	12-28
DN300	270	457	400	12-23	457	410	12-28
DN350	290	518	460	16-23	518	470	16-28
DN400	310	578	515	16-28	578	525	16-31

**SOFT-SEALING GATE VALVE
BS5163 STANDARD Z45X**



Item	Part Name	Material	Item	Part Name	Material	Item	Part Name	Material
1	Body	GGG40	5	Bolt	Carbon Steel	9	"O"Ring	Silica Gel
2	Disc	GGG40+EPDM	6	Bonnet	GGG40	10	Stem Nut	Brass
3	Stem Nut	Brass	7	Holding Ring	Brass	11	Bolt	SS201
4	Stem	SS420	8	Bonnet Gasket	EPDM	12	Handwheel	Ductile iron

DN	L	D1	D4	D3	X-N	T	F	D2
50	178	50	165	125	4- Ø19	16.5	2	99
65	190	65	185	145	4- Ø19	17	2	118
80	203	80	200	160	4- Ø19 8- Ø19	19	3	132
100	229	100	220	180	8- Ø19	20	3	156
125	254	125	250	210	8- Ø19	20	3	184
150	267	150	285	240	8- Ø23	20	3	211
200	292	200	340	295	8- Ø23 12- Ø23	20	3	266
250	330	250	405	350 355	12- Ø23 12- Ø26	25	3	319
300	356	300	460	400 410	12- Ø23 12- Ø26	28	4	370
350	381	350	520	460 470	16- Ø23 16- Ø26	28	4	430
400	406	400	582	515 525	16- Ø25 16- Ø30	28	4	475
450	432	450	615 640	565 585	20- Ø26 20- Ø30	32	4	565 585
500	457	500	670 715	620 650	20- Ø26 20- Ø30	32	4	580
600	508	600	780 840	700 725	20- Ø26 20- Ø36	38	4	680
700	610	700	895 910	840	24- Ø30 24- Ø36	40	5	793 800
800	665	800	1015 1025	950	24- Ø33 24- Ø40	44	5	900 905

RUBBER CHECK VALVE



Item	Part Name	Material	Item	Part Name	Material
1	Body	QT450	4	Gasket	SS304
2	Disc	QT450+EPDM	5	Pin	SS304
3	Bolts	SS304	6	Gasket	EPDM

DN	L	D		D1		D2		B	N-d	
		PN10	PN16	PN10	PN16	PN10	PN16		PN10	PN16
50	203	165	165	125	125	102	102	19	4-19	4-19
65	216	185	185	145	145	122	122	19	4-19	4-19
80	241	200	200	160	160	138	138	19	8-19	8-19
100	292	220	220	180	180	158	158	19	8-19	8-19
125	330	250	250	210	210	188	188	19	8-19	8-19
150	356	285	285	240	240	212	212	19	8-23	8-23
200	495	340	340	295	295	268	268	20	8-23	12-23
250	622	405	405	350	355	320	320	22	12-23	12-27
300	698	460	460	400	410	370	378	25	12-23	12-27

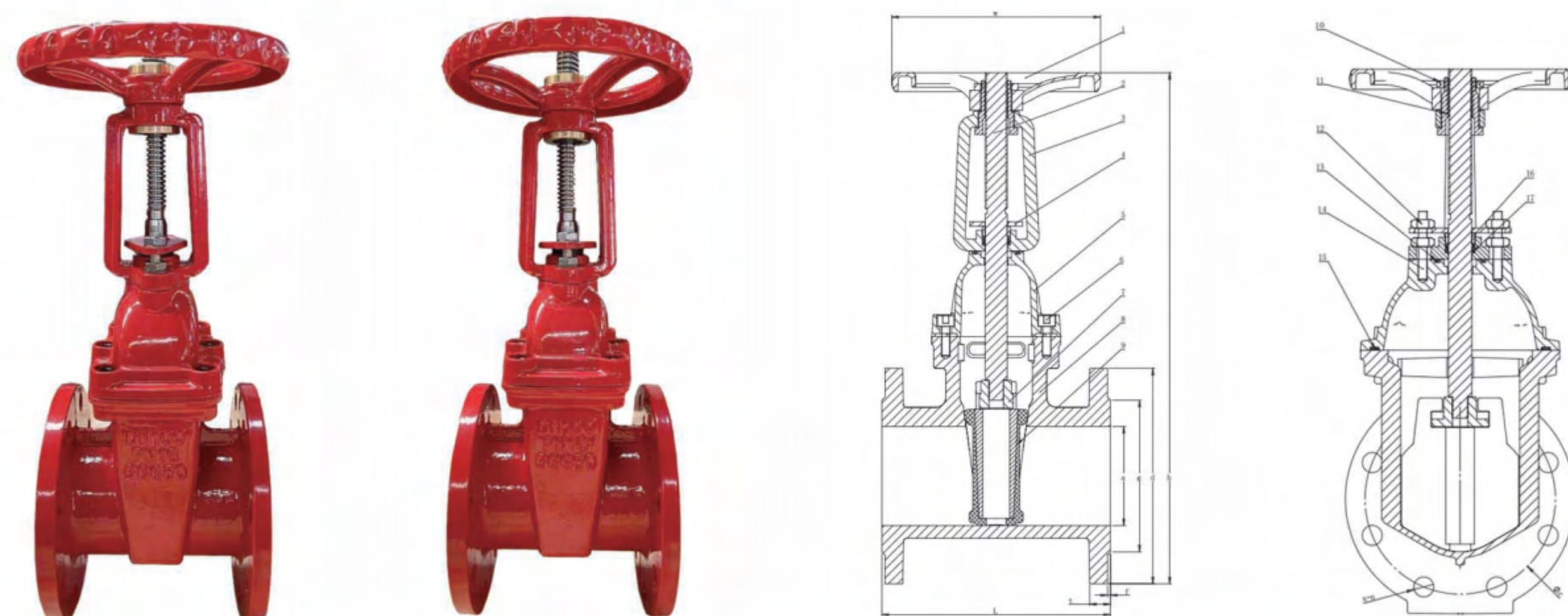
WATER CONTROL VALVE



Item	Part Name	Material	Item	Part Name	Material	Item	Material
1	Body	GGG40	5	Seal Gasket	NBR	9	Gland:GGG40
2	Stem	SS	6	Valve Core	GGG40	10	Stem Nut:SS
3	Seat	SS304	7	Diaphragm	NBR	11	Bonnet:GGG40S
4	Bottom Plate	GGG40	8	Hex Bolts	SS	12	Spring:SS

DN	L	D2	D1	x-n	T	F	D
50	215	165	125	4-Ø19	20	3	99
65	235	185	145	4-Ø19	20	3	118
80	275	200	160	8-Ø19	20	3	132
100	306	220	180	8-Ø19	20	3	156
125	355	250	210	8-Ø19	20	3	184
150	375	285	240	8-Ø23	20	3	211
200	430	340	295	8-Ø23 12-Ø23	20	3	266
250	510	405	350/355	12-Ø23 12-Ø26	25	3	319
300	595	460	400/410	12-Ø23 12-Ø26	28	4	370
350	630	520	460/470	16-Ø23 16-Ø26	28	4	430
400	680	582	515/525	16-Ø23 16-Ø30	28	4	475
450	720	615/640	565/585	20-Ø26 20-Ø30	32	4	580
500	900	670/715	620/650	20-Ø26 20-Ø30	32	4	585
600	1100	780/840	700/725	20-Ø30 20-Ø36	38	4	680

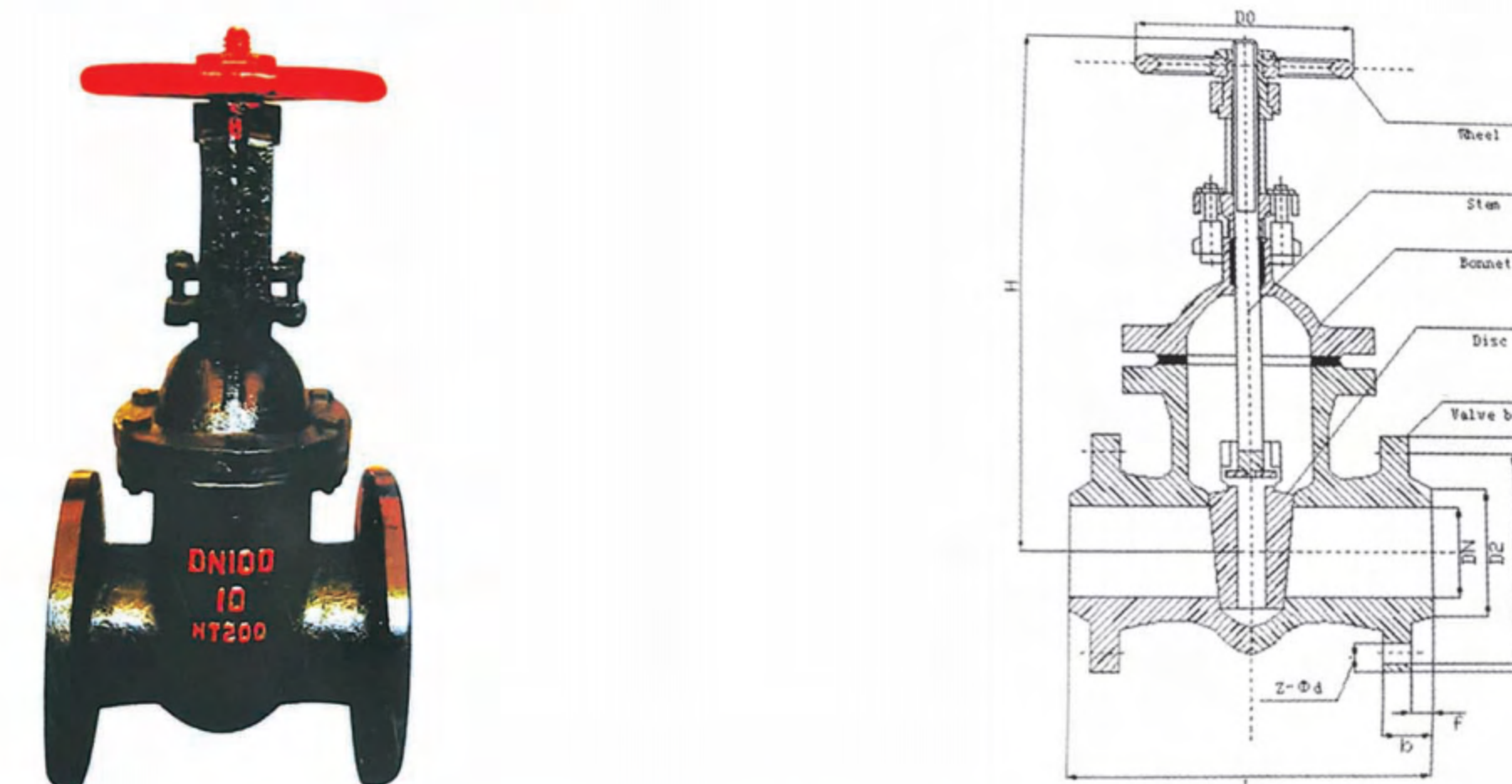
**SOFT-SEALING RISING GATE VALVE
BS5163 STANDARD Z41X**



Item	Part Name	Material	Item	Part Name	Material	Item	Part Name	Material
1	Handwheel	GGG50	7	Stem	GGG50	13	O-ring	NBR
2	Stem	SS420	8	Body	GGG50	14	Bolts	SS201
3	Support	GGG50	9	Disc	DI COATED EPDM	15	Gasket	NBR
4	Plate	A3	10	Top nut	BRASS	16	Seal sleeve	ABS
5	Bonnet	GGG50	11	Stem nuts	BRASS	17	O-ring	NBR
6	Bolts	M10*60	12	Bolt nuts	SS201			

DN	L	h	a	d	C	x-n	t	f	g	W
50	178	370	50	165	125	4- Ø19	16.5	2	99	173
65	190	415	65	185	145	4- Ø19	17	2	118	173
80	203	470	80	200	160	4- Ø19 8- Ø19	19	3	132	212
100	229	500	100	220	180	8- Ø19	20	3	156	212
125	254	590	125	250	210	8- Ø19	20	3	184	260
150	267	640	150	285	240	8- Ø23	20	3	211	260
200	292	887	200	340	295	8- Ø23 12- Ø23	20	3	266	302
250	330	940	250	405	350 355	12- Ø23 12- Ø26	25	3	319	302
300	356	1100	300	460	400 410	12- Ø23 12- Ø26	28	4	370	302
350	381	1202	350	520	460 470	16- Ø23 16- Ø26	28	4	430	500
400	406	1345	400	582	515 525	16- Ø23 16- Ø26	28	4	475	500
450	432	1590	450	615 640	565 585	20- Ø26 20- Ø30	32	4	548	660
500	457	1645	500	670 715	620 650	20- Ø26 20- Ø30	32	4	580	660
600	508	1850	600	780 810	700 725	20- Ø30 20- Ø36	38	4	680	660

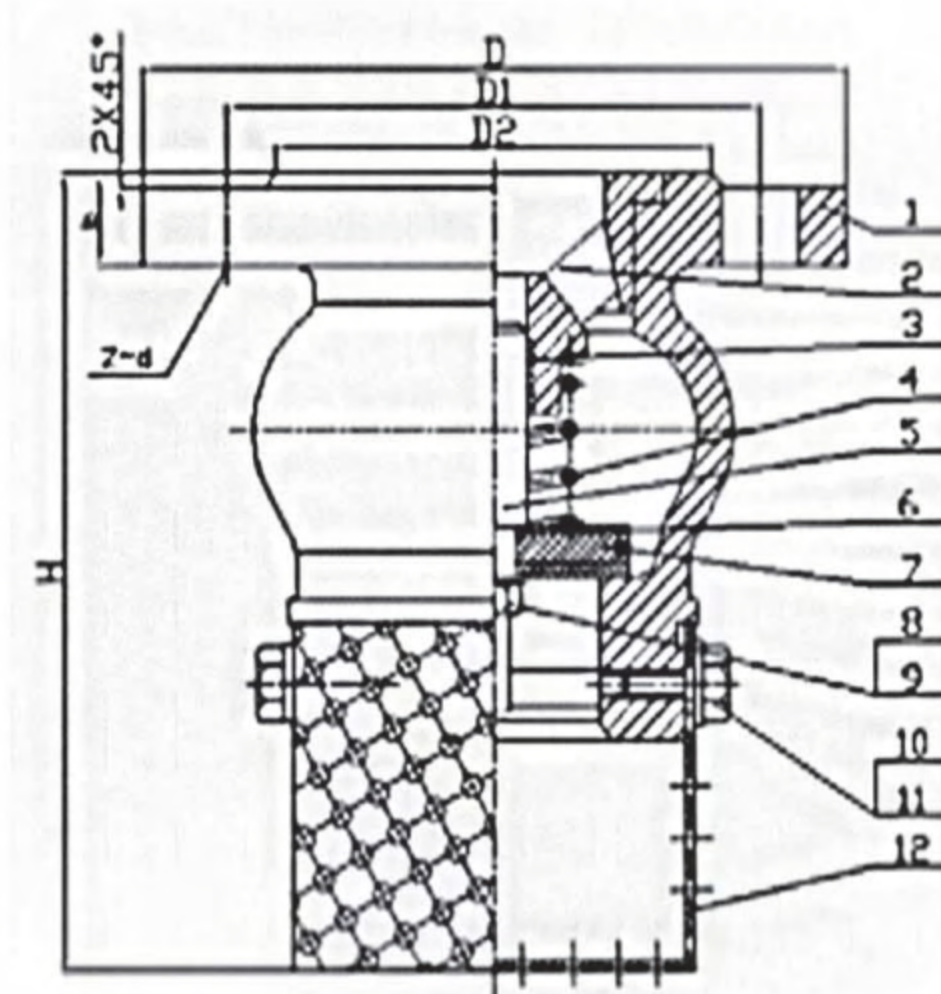
**Z41T/W-10/16
RISING GATE VALVE**



Item	Part Name	Material	Item	Part Name	Material
1	Body	Gray cast iron	4	Disc	Grey iron+Brass
2	Bonnet	Gray cast iron	5	Stem	Carbon steel
3	Wheel	Gray cast iron	6	Yoke nut	Brass

DN(mm)	L	D	D1	D2	b-f	z-d
40	165	145	110	85	18-3	4-18
50	180	160	125	100	20-3	4-18
65	195	180	145	120	20-3	4-18
80	210	195	160	135	22-3	4-18
100	230	215	180	155	22-3	8-18
125	255	245	210	185	24-3	8-18
150	280	280	240	210	24-3	8-23
200	330	335	295	265	26-3	8-23
250	390	390	350	320	28-3	12-23
300	420	440	400	368	28-4	12-23
350	450	500	460	428	30-4	16-23
400	480	565	515	482	32-4	16-25
450	510	615	565	532	32-4	20-25
500	540	670	620	585	34-4	20-25

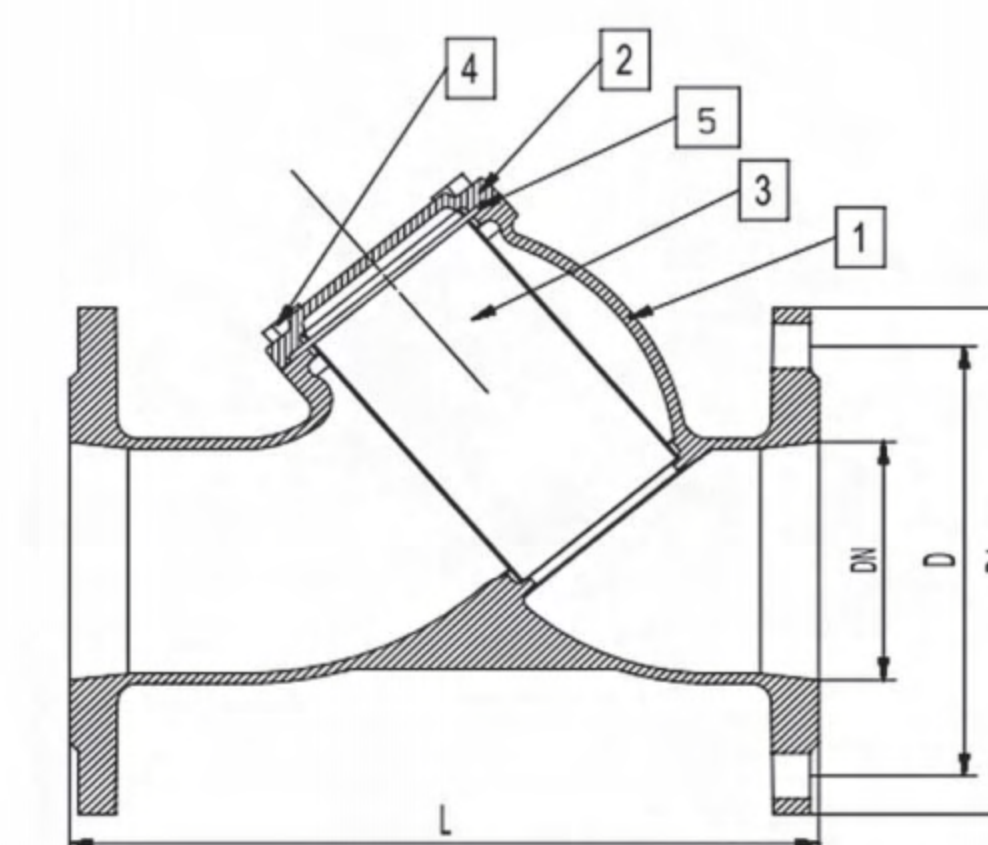
FLANGED TYPE FOOT VALVE



Item	Part Name	Material	Item	Part Name	Material
1	Body	DI	6	Disc	DI
2	Guide	DI	7	Seat	EPDM
3	Disc	DI	8.9	Screw	SS304
4	Spring	SS304	10.11	Screw	SS304
5	Stem	2Cr13	12	Strainer	SS304

DN	H	D	D1	D2	Z-d
50	164	165	125	99	4-Ø19
65	217	185	145	118	4-Ø19
80	240	200	160	132	8-Ø19
100	275	220	180	152	8-Ø19
125	307	250	210	184	8-Ø19
150	343	285	240	211	8-Ø23
200	470	340	295	266	8-Ø23/12-Ø23
250	600	405	355	319	12-Ø23/12-Ø28
300	720	460	410	370	12-Ø23/12-Ø28

Y-STRAINER



Item	Part Name	Material	Item	Part Name	Material
1	Body	QT450	4	Sealing	NBR
2	Bonnet	QT450	5	Bolts	SS201
3	Net	SS201			

DN	L	PN10			PN16		
		D	D1	n-d	D	D1	n-d
DN50	200	156	125	4-19	156	125	4-19
DN65	220	176	145	4-19	176	145	4-19
DN80	250	191	160	8-19	191	160	8-19
DN100	295	211	180	8-19	211	180	8-19
DN125	315	245	210	8-19	245	210	8-19
DN150	350	275	240	8-23	275	240	8-23
DN200	410	330	295	8-23	330	295	12-23
DN250	505	400	350	12-23	400	355	12-28
DN300	585	454	400	12-23	454	410	12-28

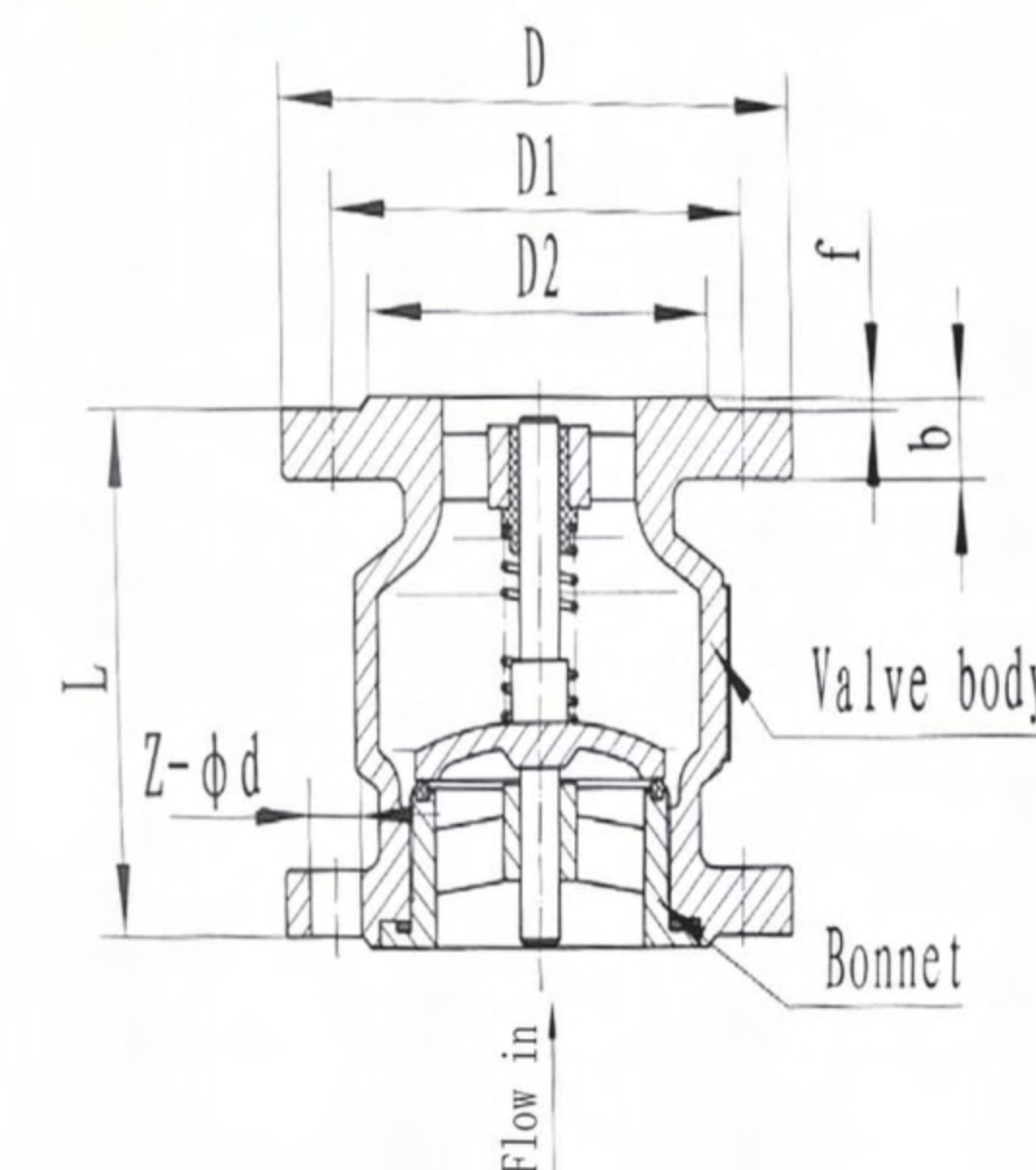
SWING CHECK VALVE H44T



Item	Part Name	Material	Item	Part Name	Material
1	Body	Ductile iron	5	Cotter pin	Carbon steel
2	Disc	Ductile iron	6	Rocker stem	stainless steel
3	Rocker	Ductile iron	7	Flange gasket	Flexible graphite
4	Nut	Carbon steel	8	Cover	Gray cast iron

DN(mm)	NPS	L	D	D1	N-do	H
40	1 1/2"	165	150	110	4-19	109
50	2"	203	165	125	4-19	135
65	2 1/2"	216	185	145	4-19	145
80	3"	241	200	160	8-19	156
100	4"	292	220	180	8-19	170
125	5"	330	250	210	8-19	206
150	6"	356	285	240	8-23	214
200	8"	495	340	295	8-23/12-23	280
250	10"	622	395/405	350/355	12-23/12-28	300
300	12"	698	445/460	400/410	12-23/12-28	352
350	14"	787	505/520	460/470	16-23/16-28	418
400	16"	914	565/580	515/525	16-28/16-31	480
500	18"	978	670/715	620/625	20-28/20-34	595
600	20"	1295	780/840	725/770	20-37/20-40	910

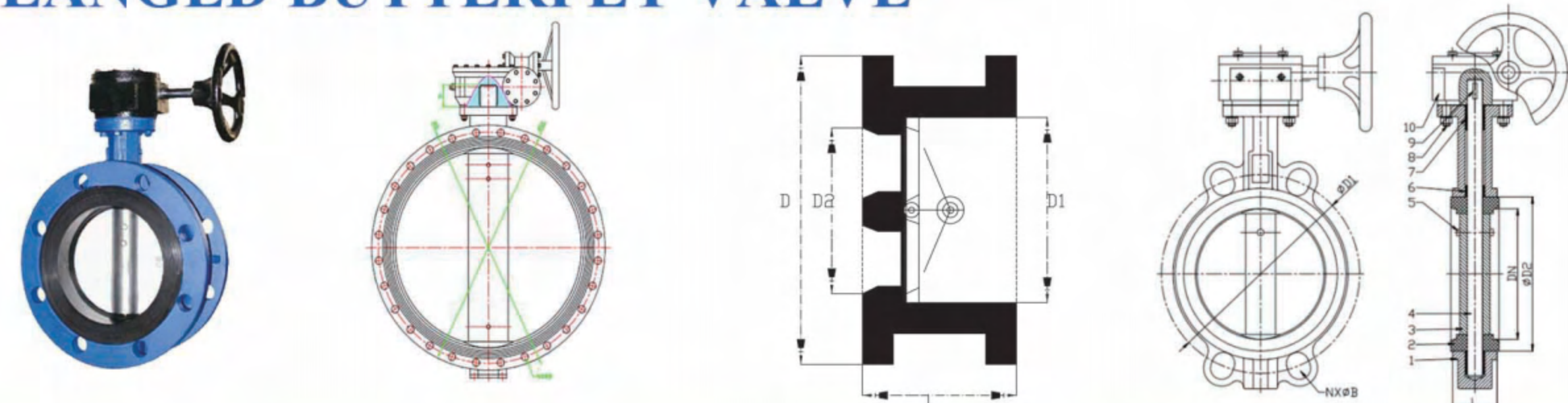
SILENCE CHECK VALVE HC41X-16



Item	Part Name	Material
1	Body	WCB /ductile iron
2	Seat	Ductile iron copper plating/brass
3	Disc	Ductile iron copper plating/brass

DN(mm)	NPS	L	D	b
40	1 1/2"	125	133	11
50	2"	125	146	11
65	2 1/2"	135	167	11
80	3"	155	181	11
100	4"	165	202	11
125	5"	190	231	11
150	6"	220	268	11
200	8"	255	322	13
250	10"	270	387	18
300	12"	362	441	18

FLANGED BUTTERFLY VALVE



Item	Part Name	Material	Item	Part Name	Material
1	Body	QT450/WCB/CF	6	Sleeve	PTFE
2	Stem	45#SS410/SS304	7	O-ring	NBR
3	Disc	QT450/CF8	8	Bolt	SS201
4	Seat	EPDM/NBR/PTFE	9	Key	45#
5	Pin	45#/SS304	10	Operation	handle/gear box

DN	ØD	ØD1	ØD2	NXØB	L	H	K	E	G	C	nx	ØZ	S	&
DN50	165	125	99	4XØ19	108	28	77	57	Ø12.6	3	4XØ07	*	*	90°
DN65	185	145	118	4XØ19	112	28	77	57	Ø12.6	3	4XØ07	*	*	90°
DN80	200	160	132	8XØ19	114	28	77	57	Ø12.6	3	4XØ07	*	*	90°
DN100	220	180	156	8XØ19	127	32	92	70	Ø15.77	5	4XØ10	*	*	90°
DN125	250	210	184	8XØ19	140	32	92	70	Ø18.92	5	4XØ10	*	*	90°
DN150	285	240	211	8XØ23	140	32	92	70	Ø18.92	5	4XØ10	*	*	90°
DN200	340	295	266	8XØ23	152	42	115	89	Ø22.1	5	4XØ14	*	*	90°
DN250	395	350	319	12XØ23	165	45	115	89	Ø28.45	8	4XØ14	*	*	90°
DN300	445	400	370	12XØ23	178	45	140	108	Ø31.6	8	4XØ14	*	*	90°
DN350	505	460	429	16XØ23	190	45	140	108	Ø31.6	8	4XØ14	*	*	90°
DN400	565	515	480	16XØ28	216	55	197	159	Ø33.15	10	4XØ20	*	*	90°
DN450	615	565	530	20XØ28	222	55	197	159	Ø38	10	4XØ20	*	*	90°
DN500	670	620	582	20XØ28	229	55	197	159	Ø41.1	10	4XØ20	*	*	90°
DN600	780	725	682	20XØ31	267	70	276	216	Ø50.5	16	4XØ22	*	*	90°
DN700	895	840	794	24XØ31	292	80	300	254	Ø63.3	2X18	8XØ18	*	*	90°
DN800	1015	950	901	24XØ34	318	80	300	254	Ø63.3	2X18	8XØ18	*	*	90°
DN900	1115	1050	1001	28XØ34	330	110	300	254	Ø75	2X20	8XØ18	Ø200	5	22.5°
DN1000	1230	1160	1112	28XØ37	410	110	300	254	Ø85	2X22	8XØ18	Ø200	5	22.5°
DN1200	1455	1380	1328	32XØ40	470	140	350	298	Ø105	2X28	8XØ23	Ø230	5	22.5°

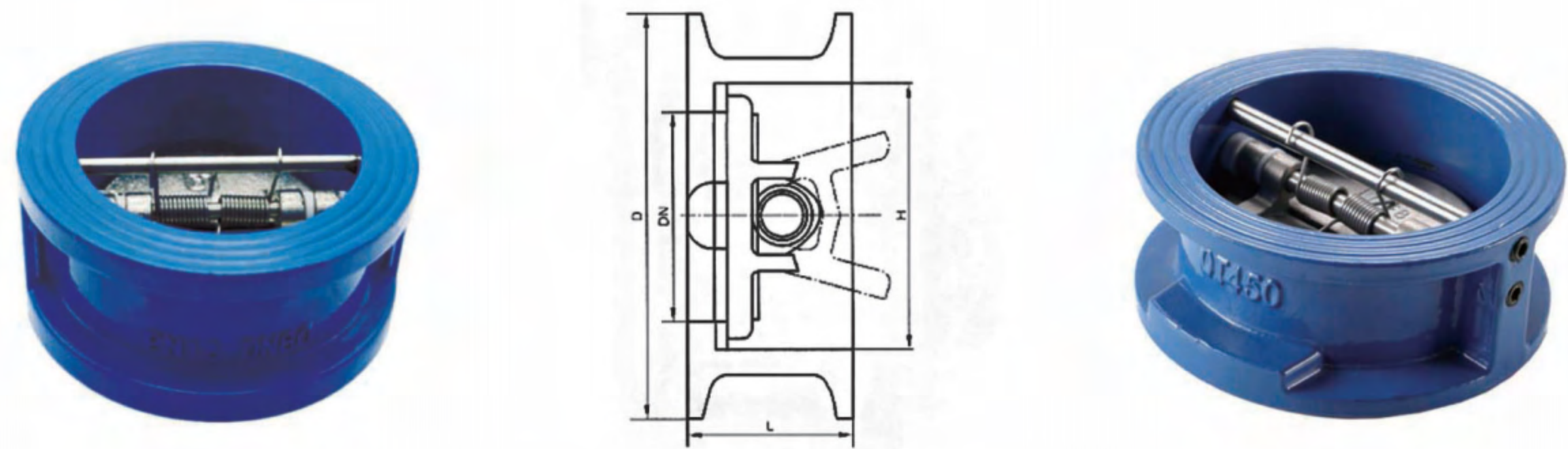
WAFER BUTTERFLY VALVE



Item	Part Name	Material	Item	Part Name	Material
1	Body	CI/DI	5	Pin	SS304
2	Stem	SS420	6	O-ring	EPDM
3	Disc	DI+NI/CF8	7	Operation	handle/gear box
4	Seat	EPDM			

SIZE	D1	D2	N	D3	D4	A	B	C	E	F	J	K	F
DN50	52.6	120	4	19	76.4	132	64	43	49	48	159	185	135
DN65	64.5	140	4	19	89	140	76	46	49	48	159	185	135
DN80	78.9	150	8	19	104	148	81	46	49	48	159	185	135
DN100	104.3	175	8	19	135	168	100	52	49	48	159	185	135
DN125	123.5	210	8	23	159	182	112	56	49	48	159	185	135
DN150	155.8	240	8	23	188.4	197	126	56	49	48	159	185	135
DN200	202.8	290	12	23	238	249	164	60	57	69	267	265	265
DN250	250.4	355	12	25	292.4	285	195	68	57	69	267	265	265
DN300	301.5	400	16	25	344	334	229	78	67	77	291	253	265
DN350	333.3	445	16	25	375	354	251	78	67	77	291	253	265

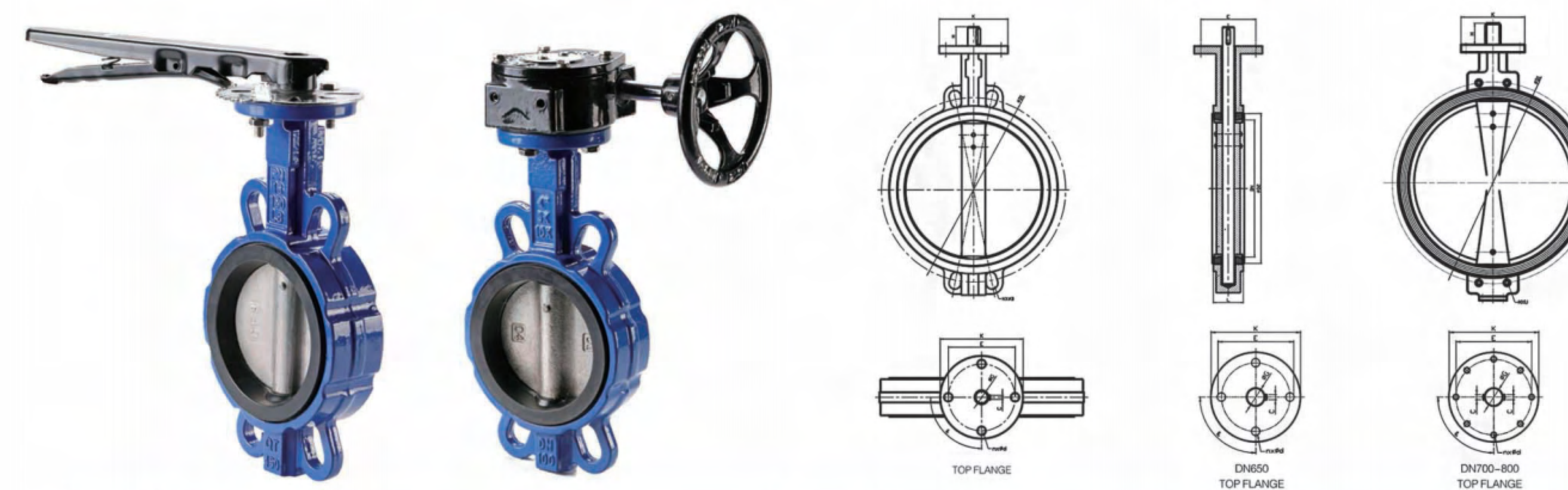
CHECK VALVE WAFER



Item	PartName	Material	Item	PartName	Material
1	Body	CI, DI	8	Face to Face	ISO
2	Disc	CI, DI, 304, 316, bronze	9	Flange Drilling	DIN/BS/JIS/ANSI
3	Seat	EPDM/NBR	10	Pressure	PN10/PN16/10K/150LB
4	Stem	Stainless steel			
5	Spring	Stainless steel			

DN	1.0MPa			1.6MPa			2.5MPa		
	L	D	H	L	D	H	L	D	H
	40	43	92	55	43	92	55	43	92
50	43	107	65.5	43	107	65.5	43	107	65.5
65	46	127	81	46	127	81	46	127	81
80	64	142	95	64	142	95	64	142	95
100	64	162	117.5	64	162	117.5	64	166	117.5
125	70	192	145.5	70	192	145.5	70	192	145.5
150	76	218	170.5	76	218	170.5	76	222	170.5
200	89	273	227.5	89	273	227.5	89	282	227.5
250	114	328	266	114	329	266	114	337	266
300	114	378	312	114	384	312	114	397	312
350	127	438	361	127	444	361	127	454	361
400	140	489	406	140	495	406	140	511	406
450	152	539	450	152	555	450	152	560	450
500	152	594	505	152	617	505	152	620	505
600	178	695	624	178	734	624	178	727	624
700	229	804	736	229	804	736	229	829	736
800	241	910	842	241	910	842	241	938	842
900	241	1010	945	241	1010	945	241	1038	945
1000	300	1125	1050	300	1125	1050	300	1150	1050

BUTTERFLY VALVE WAFER LEVER/TURBINE



Item	Part Name	Material	Item	Technical specification
1	Body Materials	Cast Iron,Ductile Iron WCB,Stainless Steel,Bronze	7	Disc type
2	Seat Materials	NBR EPDM,VITON PTFE	8	Valve design
3	Disc Materials	Ductile Iron,WCB,304 CF8, CF8M Al-bronze C958	9	Face to Face
4	Stem Materials	SS416,SS304,SS316	10	Pressure test
5	End Connection	Wafer	11	Flange Drilling
6	Operate	Manual,Worm gear Pneumatic, Electric-Motorized	12	Top Flange

DN	NPS	Main external and connecting dimensions(mm)																
		ØD1			ØD2	N×U			L	H	K	E	ØG	C	n×Ød	α		
		PN10	PN16	150LB		PN10	PN16	150LB										
40	1½"	110	110	98.4	70	4×Ø19	4×Ø19	4×Ø16	33	28	77	57	Ø12.6	3	4×Ø7	90°		
50	2"	125	125	120.7	73	4×Ø19	4×Ø19	4×Ø19	43	28	77	57	Ø12.6	3	4×Ø7	90°		
65	2½"	145	145	139.7	85	4×Ø19	4×Ø19	4×Ø19	46	28	77	57	Ø12.6	3	4×Ø7	90°		
80	3"	160	160	152.4	100	4(8)×Ø19	4(8)×Ø19	4×Ø19	46	28	77	57	Ø12.6	3	4×Ø7	90°		
100	4"	180	180	190.5	131	4(8)×Ø19	4(8)×Ø19	4(8)×Ø19	52	32	92	70	Ø15.77	5	4×Ø10	90°		
125	5"	210	210	215.9	155	4(8)×Ø19	4(8)×Ø19	4(8)×Ø22	56	32	92	70	Ø18.92	5	4×Ø10	90°		
150	6"	240	240	241.3	185	4(8)×Ø23	4(8)×Ø23	4(8)×Ø22	56	32	92	70	Ø18.92	5	4×Ø10	90°		
200	8"	295	295	298.5	234	4(8)×Ø23	4(12)×Ø23	4(8)×Ø22	60	42	115	89	Ø22.1	5	4×Ø14	90°		
250	10"	350	355	362	288	4(12)×Ø23	4(12)×Ø28	4(12)×Ø26	68	45	115	89	Ø28.45	8	4×Ø14	90°		
300	12"	400	410	431.8	340	4(12)×Ø23	4(12)×Ø28	4(12)×Ø26	78	45	140	108	Ø31.6	8	4×Ø14	90°		
350	14"	460	470	476.3	371	4(16)×Ø23	4(16)×Ø28	4(12)×Ø29	78	45	140	108	Ø31.6	8	4×Ø14	90°		
400	16"	515	525	539.8	435	4(16)×Ø28	4(16)×Ø31	4(16)×Ø29	86/102	55	197	159	Ø33.15	10	4×Ø20	90°		
450	18"	565	585	577.9	486	4(20)×Ø28	4(20)×Ø31	4(16)×Ø32	104/114	55	197	159	Ø37.95	10	4×Ø20	90°		
500	20"	620	650	635	531	4(20)×Ø28	4(20)×Ø34	4(20)×Ø32	130/127	55	197	159	Ø41.15	10	4×Ø20	90°		
550	22"	675	710	692.1	600	4(20)×Ø31	4(20)×Ø34	4(20)×Ø35	150	55	197	159	Ø41.15	10	4×Ø20	90°		
600	24"	725	770	749.3	650	4(20)×Ø31	4(20)×Ø37	4(20)×Ø35	154	70	276	216	Ø50.65	16	4×Ø22	90°		
650	26"	780	790	806.4	715	4(24)×M27	4(24)×M33	4(24)×1¼-8UN	172	70	276	216	Ø50.65	16	4×Ø22	90°		
700	28"	840	840	863.6	770	4(24)×M27	4(24)×M33	4(28)×1¼-8UN	165	80	300	254	Ø63.35	2×18	8×Ø18	90°		
750	30"	900	900	914.4	815	4(24)×M30	4(24)×M33	4(28)×1½-8UN	167	80	300	254	Ø63.35	2×18	8×Ø18	90°		
800	32"	950	950	977.9	901	4(24)×M30	4(24)×M36	4(28)×1½-8UN	190	80	300	254	Ø63.35	2×18	8×Ø18	90°		
900	36"	1050	1050	1085.8	973	4(28)×M30	4(28)×M36	4(32)×1½-8UN	203	110	300	254	Ø75	2×20	8×Ø18	22.5°		
1000	40"	1160	1170	1200.2	1060	4(28)×M33	4(28)×M39	4(36)×1½-8UN	216	110	300	254	Ø85	2×22	8×Ø18	22.5°		
1100	44"	1270	1270	1314.4	1184	4(32)×M33	4(32)×M69	4(40)×1½-8UN	251	120	300	254	Ø95	2×25	8×Ø18	22.5°		
1200	48"	1380	1390	1422.4	1320	4(32)×M36	4(32)×M45	4(44)×1½-8UN	276/254	150	350	298	Ø105	2×28	8×Ø22	22.5°		

GLOBE VALVE J41H-150LB/300LB



Item	Part Name	Material	Item	Part Name	Material	Item	Part Name	Material
1	Body	ASTM A216 WCB	7	Bolt	ASTM A193 B7	13	Gasket	9235A
2	Disc	ASTM A105	8	Nut	ASTM A1942H	14	Nut	ASTM A1942H
3	Stem	ASTM A276410	9	Cap	ASTMA216 WCB	15	Stem Nut	ZCuA19-4
4	Disc Nut	Q235A	10	Packing	GRAPHITE+304	16	Hand Wheel	QT400-18
5	Gasket	GRAPHITE+304	11	Pin	ASTM A276410	17	Gasket	Q235A
6	Backweat Blshign	ASTM A276410	12	Gland Eyebolt	ASTM A193 B7	18	Nut	ASTM A1942H

PRESSURE TEST (MPa)	
Shell Test	3Mpa
Seat Test	2.2Mpa
Air Test	0.6Mpa
Applicable Temperature	-29~120°C

NPS	DN	L	H	O	C	g	T	n-Ød	W
2	50	203	330	152	120.7	92.1	14.3	4-19	200
2½	65	216	360	180	139.7	104.8	15.9	4-19	200
3	80	241	390	190	152.4	127	17.5	4-19	254
4	100	292	445	230	190.5	157.2	22.3	8-19	279
6	150	406	520	280	241.3	215.9	23.9	8-22.5	298
8	200	495	600	345	298.5	269.9	27	8-22.5	349
10	250	622	773	405	362	323.8	28.6	12-25.5	400
12	300	698	880	485	431.8	381	30.2	12-25.5	451

GATE VALVE Z41H-150LB/300LB

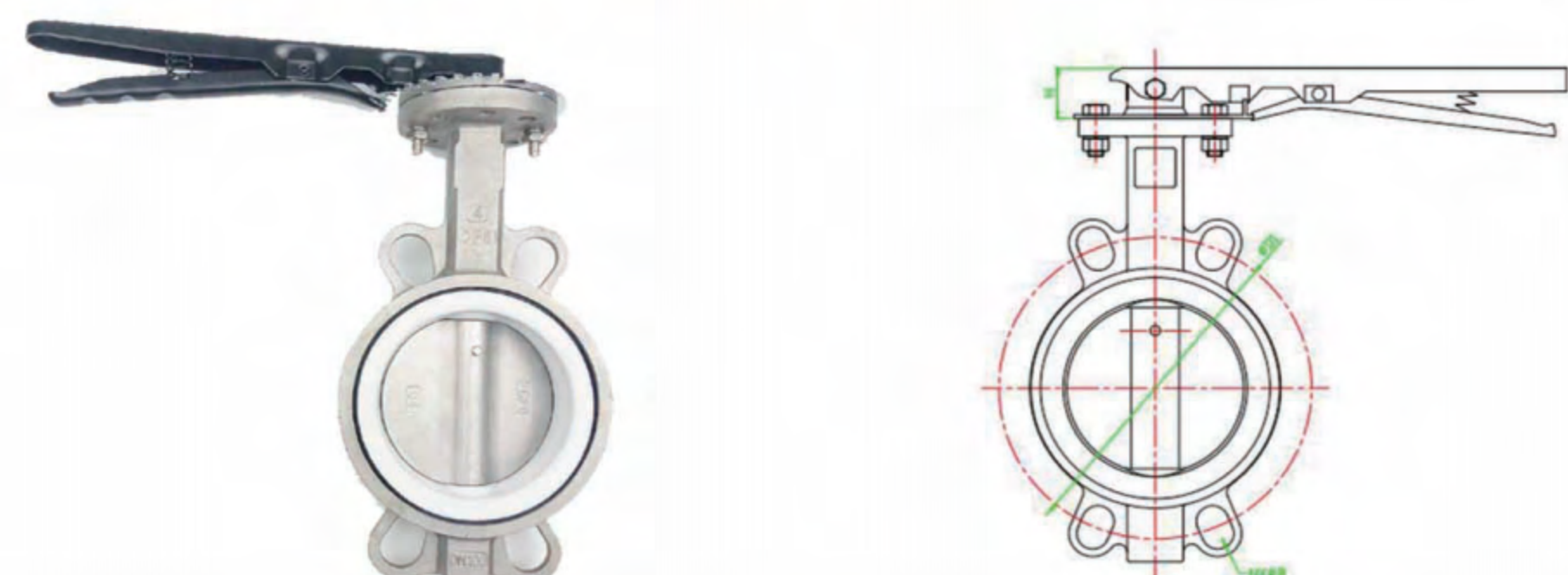


Item	Part Name	Material	Item	Part Name	Material	Item	Part Name	Material	Item	Part Name	Material
1	Body	WCB	6	Bolt	A193 B7	11	Gland Flange	WCB	16	Stem Nut Reta Tner	35
2	Disc	WCB+13Cr	7	Cap	WCB	12	Pin	410	17	Stem Nut	BRONZE
3	Stem	F6a	8	Back Seat	13Cr	13	Eyebolt Bolt	A193 B7	18	HandWheel	QT400-17
4	Gasket	410+GRAPHITE	9	Packing	SOFT GRAPHITE	14	Nut	A1942H	19	Bolt	45
5	Nut	2H	10	Gland	13Cr	15	Nipple	BRASS+STEEL	20	Handwheel,Nut	35

PRESSURE TEST(MPa)	
Shell Test	3Mpa
Seat Test	2.2Mpa
Airtest	0.6Mpa
Applicable Temperature	-29~120°C

NPS	DN	L	H	O	C	g
2"	50	178	347	152	120.7	92.1
3"	80	203	434	190	152.4	127
4"	100	229	493	230	190.5	157.2
6"	150	267	600	280	241.3	215.9
8"	200	292	750	345	298.5	269.9
10"	250	330	920	405	362	323.8
12"	300	356	1060	485	431.8	381

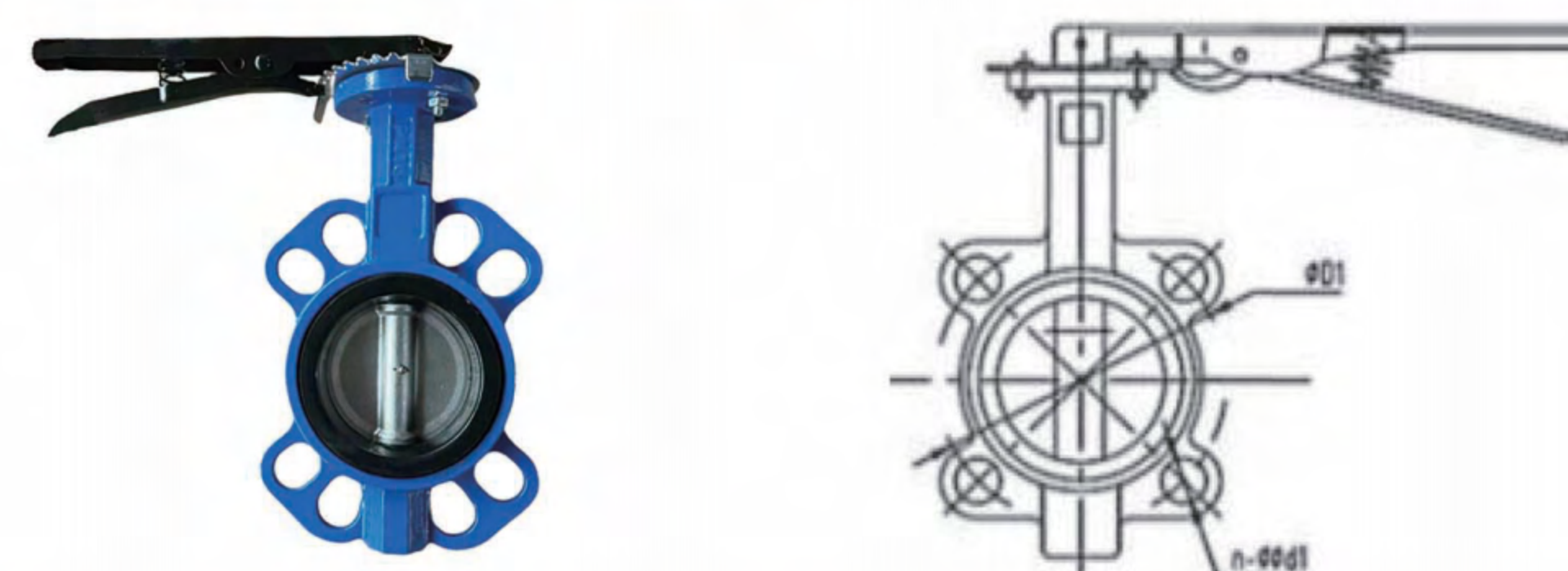
WAFER BUTTERFLY VALVE(CF8)



Item	Part Name	Material	Item	Part Name	Material
1	Body	CF8	6	Sleeve	C95800
2	Seat	PTFE	7	O-ring	EPDM
3	Disc	CF8	8	Bolt	Q235-A
4	Stem	CF8/SS410	9	Lever	CF8
5	Pin	CF8			

DN	ØD1	ØD2	NXØB	L
DN50	Ø125	Ø73	4XØ18	42
DN65	Ø145	Ø85	4XØ18	44.7
DN80	Ø160	Ø100	4(8)XØ18	45.2
DN100	Ø180	Ø131	4(8)XØ18	52.1
DN125	Ø210	Ø155	4(8)XØ18	54.4
DN150	Ø240	Ø185	4(8)XØ22	55.8
DN200	Ø295	Ø234	4(8)XØ22	60.6
DN250	Ø350	Ø288	4(8)XØ22	65.6
DN300	Ø400	Ø340	4(8)XØ22	76.9
DN350	Ø460	Ø371	4(8)XØ22	76.5
DN400	Ø515	Ø435	4(8)XØ26	86.5
DN450	Ø565	Ø486	4(8)XØ26	105.6
DN500	Ø620	Ø531	4(8)XØ26	131.8
DN600	Ø725	Ø650	4(8)XØ30	152

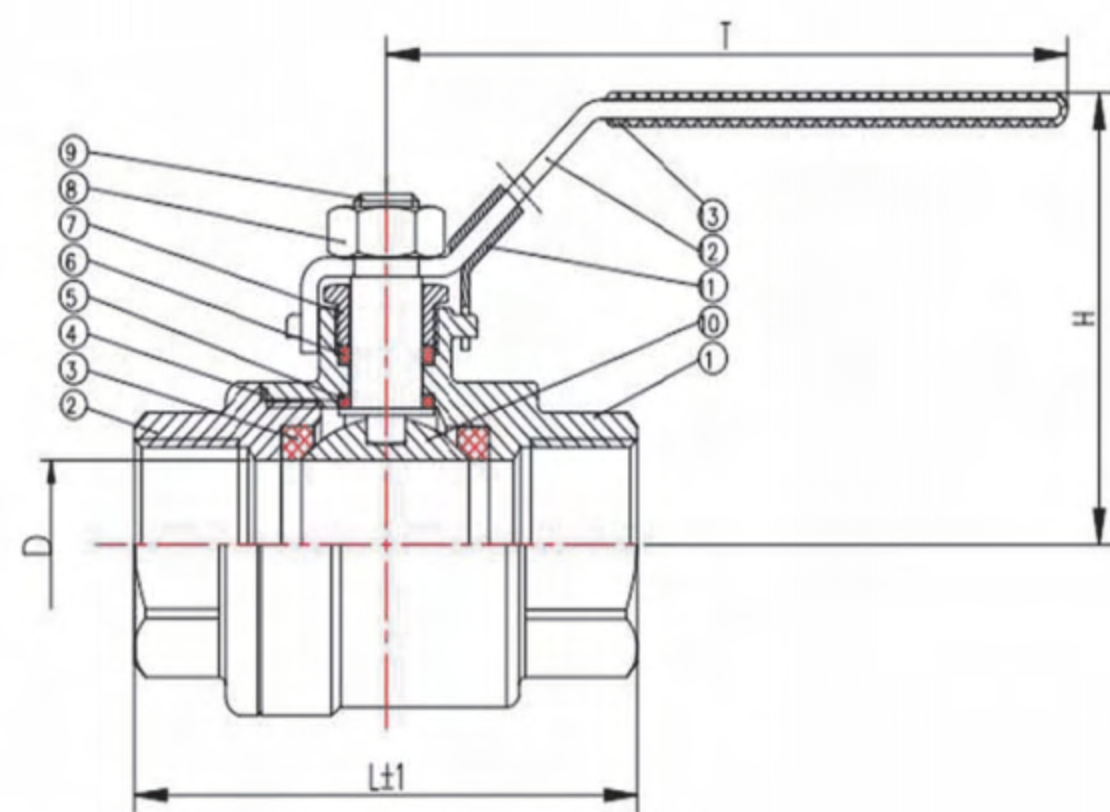
WAFER BUTTERFLY VALVE



Item	Part Name	Material	Item	Part Name	Material
1	Body	DI	5	Pin	SS420
2	Stem	Carbon steel	6	Bushing	POLYMERS
3	Disc	DI	7	O-ring	NBR
4	Seat	EPDM	8	Opeartion	Hand/Gear

Size		C	PN10		PN16	
INCH	DN		DI	n-d1	DI	n-d1
2 "	50	42	125	4-18	125	4-18
2½ "	65	45.2	145	4-18	145	4-18
3 "	80	45.2	160	4(8)-18	160	4(8)-18
4 "	100	52.1	180	4(8)-18	180	4(8)-18
5 "	125	55.8	210	4(8)-18	210	4(8)-18
6 "	150	55.8	240	4(8)-23	240	4(8)-23
8 "	200	60.6	295	4(8)-23	295	4(12)-23
10 "	250	65.6	350	4(12)-23	355	4(12)-27
12 "	300	76.9	400	4(12)-23	410	4(12)-27
14 "	350	76.9	460	4(16)-23	470	4(16)-28
16 "	400	102	515	4(16)-28	525	4(16)-31

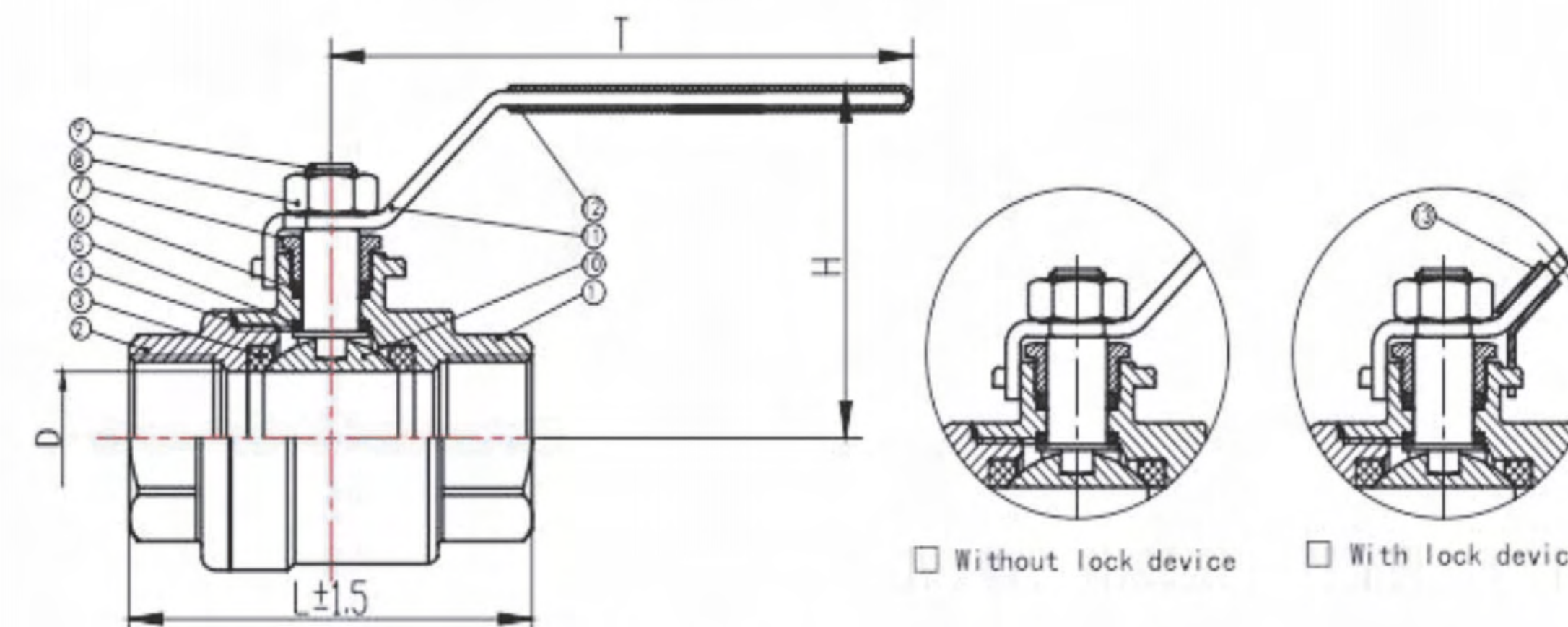
ANSI BALL VALVE 2PCS



DESIGN STANDARD: ASME B16.34 GB/T12237
 THREADED ENDS: BSPT, BSP, NPT, DIN2999, DIN259
 WORKING PRESSURE: 1000WOG
 MATERIAL: ASTM-A351-CF8M, ASTM-A351-CF8, ASTM-A216-WCB
 TEST & INSPECTION: API598 JB/T9092
 PRODUCT STYLE: Q11F
 TEMPERATURE RANGE: -20°C ~ 120°C

Main Size :											
SIZE	1/4"	3/8"	1/2"	3/4"	1"	1"	1"	2"	2 1/2"	3"	4"
DN	8	10	15	20	25	32	40	50	65	80	100
D	12.5	12.5	15	20	25	32	40	50	65	80	100
L	54	54	55	64	76	84	95	107	139	167	209
H	42	42	49	58	67	72	86	92	127	149	162
T	89	89	107	120	126	143	160	171	205	235	296
weight (kg)	0.236	0.219	0.239	0.357	0.55	0.784	1.103	1.443	2.78	4.3	8.7

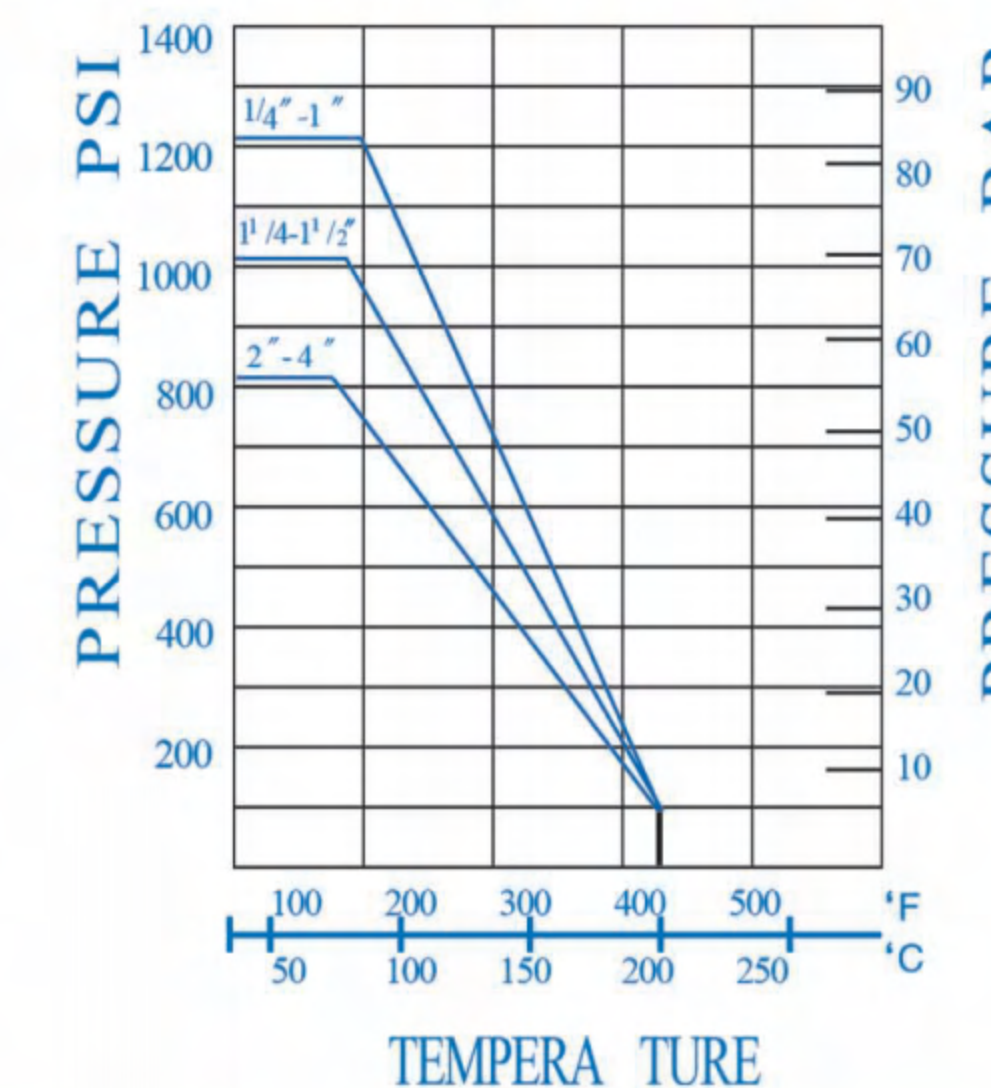
Item	Part Name	Material
1	Body	SS304/SS316
2	Cap	SS304/SS316
3	Seat	PTFE
4	Gasket	PTFE
5	Washer	PTFE
6	Packing	PTFE
7	Gland	SS201/SS304
8	Nut	SS201/SS304
9	Stem	SS304/SS316
10	Ball	SS304/SS316
11	Lock	SS201
12	Handle	SS201
13	Handle Cover	PVC



DESIGN STANDARD: ASME B16.34 GB/T12237
 THREADED ENDS: PT, BSPT, BSP, NPT, DIN2999, DIN259, DIN EN ISO228
 PRODUCT STYLE: Q11F-1000WOG/2000WOG(P/R)
 WORKING PRESSURE: 1000PSI/2000PSI
 TEMPERATURE RANGE: -20°C ~ 120°C
 MATERIAL: ASTM-A351-CF8M, ASTM-A351-CF8, ASTM-A216-WCB
 TEST & INSPECTION: API598 JB/T9092

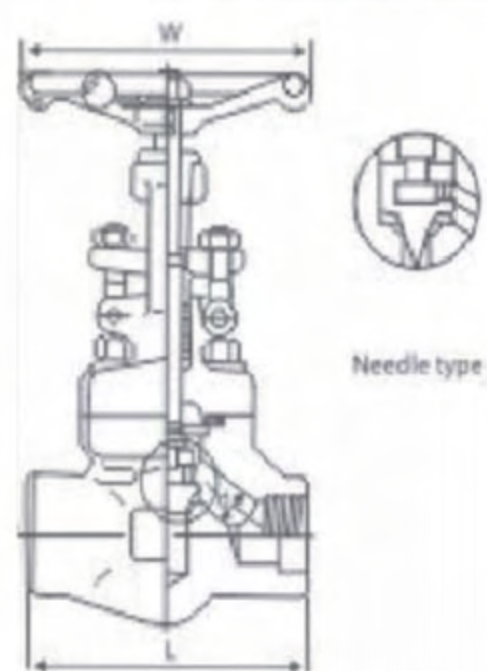
Item	Part Name	Material
1	Body	CF8/CF8M/WCB
2	Cap	CF8/CF8M/WCB
3	Seat	PTFE/RPTFE
4	Joint Gasket	PTFE/RPTFE
5	Thrust Washer	PTFE/RPTFE
6	Packing	PTFE/RPTFE
7	Gland	SS201/SS304
8	Nut	SS201/SS304
9	Stem	SS304/SS316
10	Ball	SS304/SS316
11	Handle	SS201/SS304
12	Handle Cover	PVC
13	Lock	SS201/SS304

PTFE PRESSURE-TEMPERATURE RATING



Main Size :											
SIZE	1/4"	3/8"	1/2"	3/4"	1"	1 1/4"	1 1/2"	2"	2 1/2"	3"	4"
DN	8	10	15	20	25	32	40	50	65	80	100
D	8	12	15	20	25	32	40	50	65	80	100
L±1.5	52.5	52.5	62	71	81.5	96	105.5	121.8	144	168	205
H	47	48	51	59	68	77	85	97	127	149	162
T	89	89	107	123	126	143	160	171	205	235	296
KG	0.195	0.195	0.28	0.455	0.705	1.2	1.46	2.145	3.59	5.225	8.745

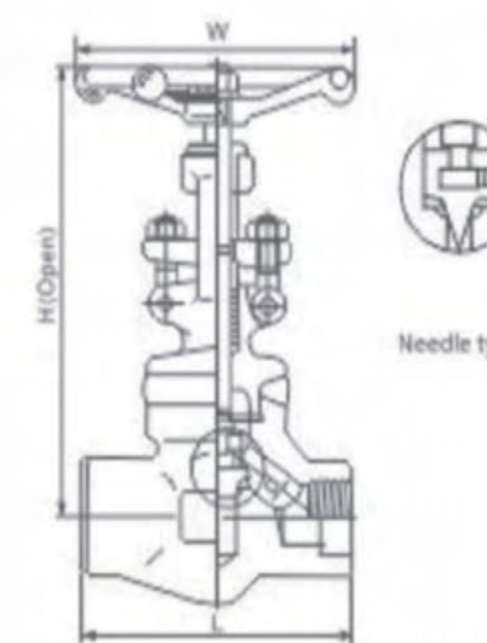
FORGED STEEL GLOBE VALVE



CL800

(NPS) Specification	R.P	1/2	3/4	1	1 1/4	1 1/2	2	2 1/2	3	
	F.P	1/4	3/8	1/2	3/4	1	1 1/4	1 1/2	2	2 1/2
Face to face (mm)	L	79	79	92	111	120	152	172	200	-
Handwheel diameter (mm)	W	100	100	100	125	160	160	180	200	-
Height (mm)	H	164	164	164	203	224	260	300	355	-
Flow port dimension (mm)	d	7	9	13	17.5	23	30	35	46	-
Weight (Kg)		1.9	2.28	2.37	4.3	5.75	7.8	12.5	17.5	-

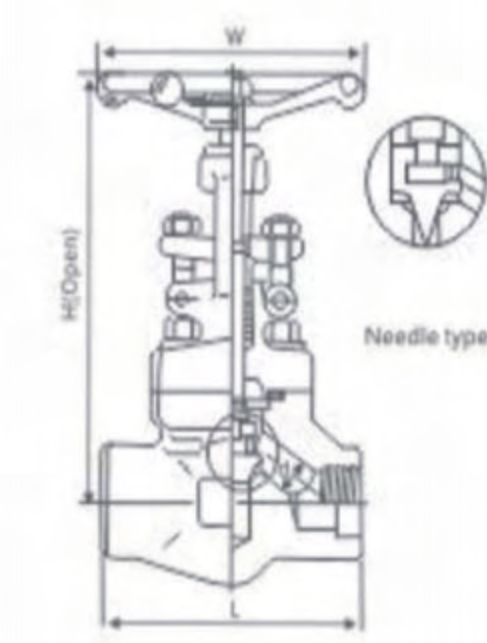
Bolted bonnet full port reducing port outside screw and yoke (OS&Y)
Threaded, butt-welded or socket welded ends, design to BSS352



CL800

(NPS) Specification	R.P	1/2	3/4	1	1 1/4	1 1/2	2	2 1/2	3	
	F.P	1/4	3/8	1/2	3/4	1	1 1/4	1 1/2	2	2 1/2
Face to face (mm)	L	79	79	92	111	120	152	172	200	-
Handwheel diameter (mm)	W	100	100	100	125	160	160	180	200	-
Height (mm)	H	164	164	164	203	224	260	300	355	-
Flow port dimension (mm)	d	7	9	13	17.5	23	30	35	46	-
Weight (Kg)		1.7	1.7	1.9	3.3	5.2	6.8	10.6	13.8	-

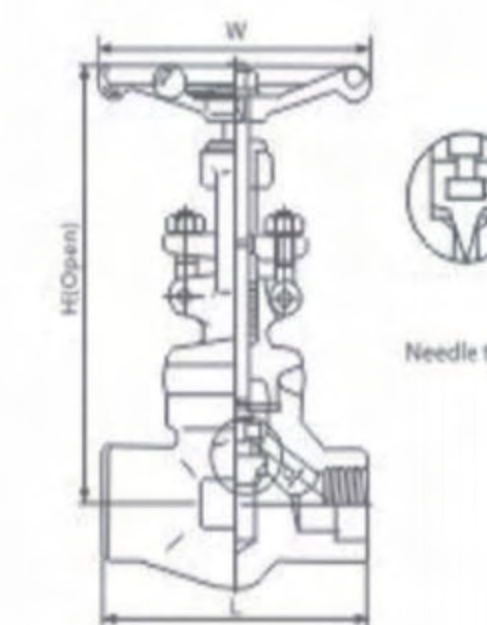
Bolted bonnet full port reducing port outside screw and yoke (OS&Y)
Threaded, butt-welded or socket welded ends, design to BSS352



CL900-CL1500

(NPS) Specification	R.P	1/2	3/4	1	1 1/4	1 1/2	2	2 1/2	3	
	F.P	1/4	3/8	1/2	3/4	1	1 1/4	1 1/2	2	2 1/2
Face to face (mm)	L	92	111	111	120	152	172	200	220	-
Handwheel diameter (mm)	W	100	125	125	160	160	180	200	240	-
Height (mm)	H	171	207	207	240	258	330	355	370	-
Flow port dimension (mm)	d	7	12	15	20	28	32	40	45	-
Weight (Kg)		2.3	3.6	3.7	6.8	7.6	11.6	15	21.9	-

Bolted bonnet full port reducing port outside screw and yoke (OS&Y)
Threaded, butt-welded or socket welded ends, design to BSS352

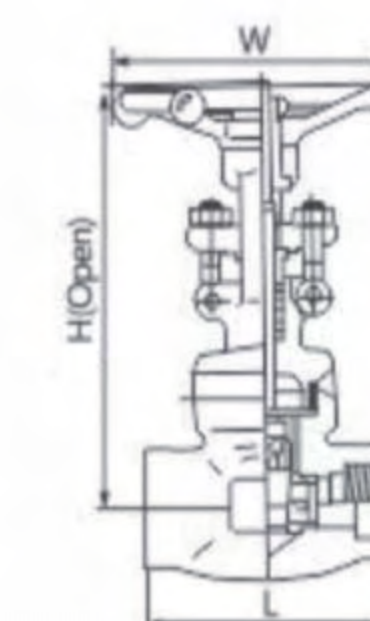
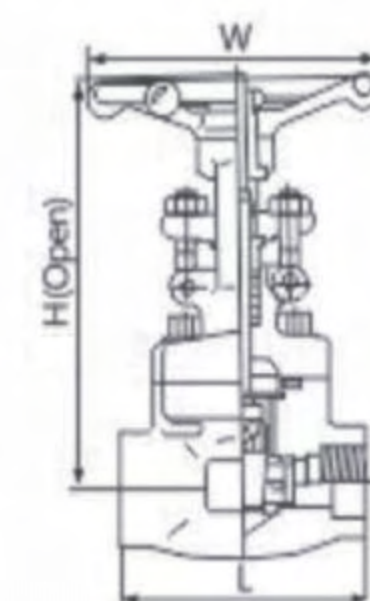


CL900-CL1500

(NPS) Specification	R.P	1/2	3/4	1	1 1/4	1 1/2	2	2 1/2	3	
	F.P	1/4	3/8	1/2	3/4	1	1 1/4	1 1/2	2	2 1/2
Face to face (mm)	L	92	111	111	120	152	172	200	220	-
Handwheel diameter (mm)	W	100	125	125	160	160	180	200	240	-
Height (mm)	H	171	207	207	240	258	330	355	370	-
Flow port dimension (mm)	d	-	12	15	20	28	32	40	45	-
Weight (Kg)		2.2	3.3	3.4	5.6	6	10.3	14.2	18.0	-

Bolted bonnet full port reducing port outside screw and yoke (OS&Y)
Threaded, butt-welded or socket welded ends, design to BSS352

FORGED STEEL GATE VALVE



CL800

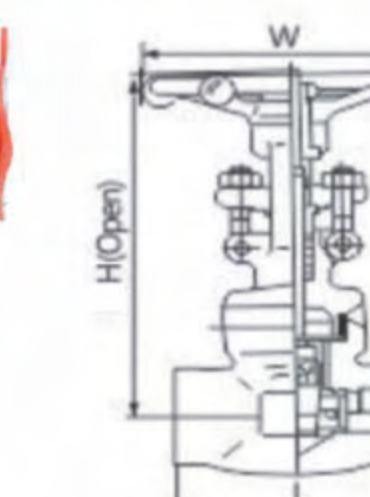
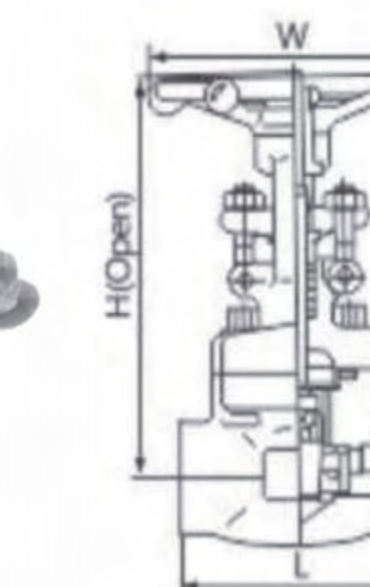
(NPS) Specification	R.P	-	1/2	3/4	1	1 1/4	1 1/2	2	2 1/2	3
	F.P	1/4	3/8	1/2	3/4	1	1 1/4	1 1/2	2	2 1/2
Face to face (mm)	L	79	79	92	111	120	120	140	178	180
Handwheel diameter (mm)	W	100	100	100	125	160	160	180	200	220
Height (mm)	H	161	161	163	196	223	251	290	333	370
Flow port dimension (mm)	d	8	10.5	13.5	18	24	29	36.5	45	51
Weight (Kg)		2.22	2.3	4.24	4.24	5.7	7.05	10.9	16.3	24

Bolted bonnet, full port reducing port outside screw and yoke (OS&Y)
Threaded, butt-welded or socket welded ends, design to APL602

CL800

(NPS) Specification	R.P	-	1/2	3/4	1	1 1/4	1 1/2	2	2 1/2	3
	F.P	1/4	3/8	1/2	3/4	1	1 1/4	1 1/2	2	2 1/2
Face to face (mm)	L	79	79	92	111	120	120	140	178	180
Handwheel diameter (mm)	W	100	100	100	125	160	160	180	200	220
Height (mm)	H	161	161	163	196	223	251	290	333	370
Flow port dimension (mm)	d	8	10.5	13.5	18	24	29	36.5	45	51
Weight (Kg)		1.9	1.9	2.1	3.2	5.2	6.9	10.4	15.8	22

Bolted bonnet, full port reducing port outside screw and yoke (OS&Y)
Threaded, butt-welded or socket welded ends, design to APL602



CL900-CL1500

(NPS) Specification	R.P	-	1/2	3/4	1	1 1/4	1 1/2	2	2 1/2	3
	F.P	1/4	3/8	1/2	3/4	1	1 1/4	1 1/2	2	2 1/2
Face to face (mm)	L	92	111	111	120	120	140	178	180	-
Handwheel diameter (mm)	W	100	125	125	160	160	180	200	220	-
Height (mm)	H	191	191	192	219	243	296	316	370	-
Flow port dimension (mm)	d	8	10.5	13.5	18	24	29	36.5	45	-
Weight (Kg)		2.4	4.3	4.4	6	7.2	11.4	16	23	-

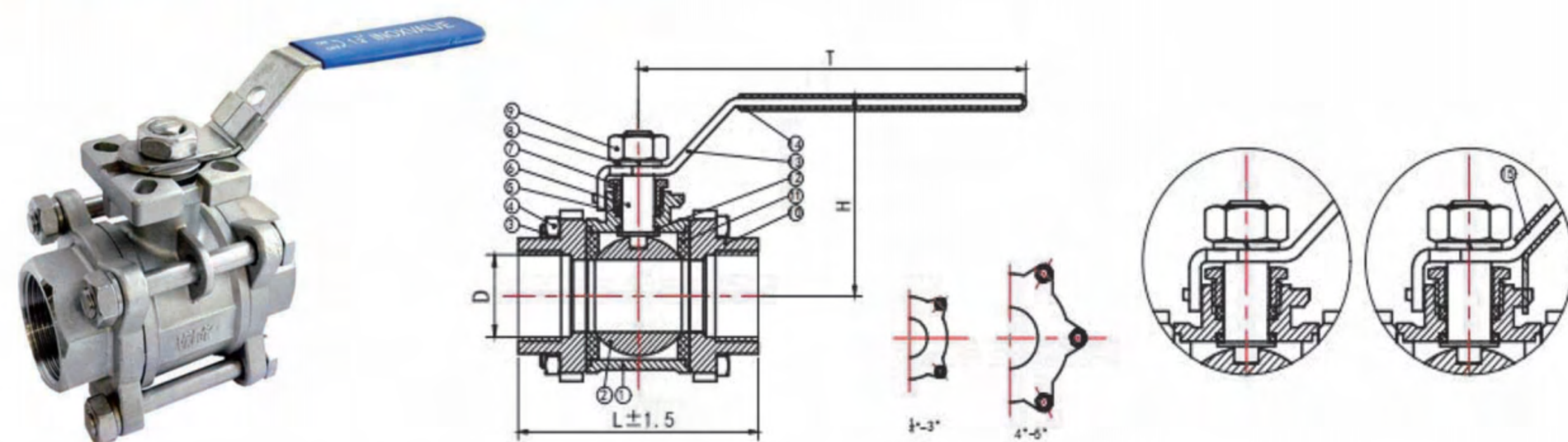
Bolted bonnet, full port reducing port outside screw and yoke (OS&Y)
Threaded, butt-welded or socket welded ends, design to APL602

CL900-CL1500

(NPS) Specification	R.P	-	1/2	3/4	1	1 1/4	1 1/2	2	2 1/2	3
	F.P	1/4	3/8	1/2	3/4	1	1 1/4	1 1/2	2	2 1/2
Face to face (mm)	L	92	111	111	120	120	140	178	180	-
Handwheel diameter (mm)	W	100	125	125	160	160	180	200	220	-
Height (mm)	H	191	191	192	219	243	296	316	370	-
Flow port dimension (mm)	d	8	10.5	13.5	18	24	29	36.5	45	-
Weight (Kg)		2.3	4	4	4.8	7.1	11	16	22.8	-

Bolted bonnet, full port reducing port outside screw and yoke (OS&Y)
Threaded, butt-welded or socket welded ends, design to APL602

ANSI BALL VALVE 3PCS

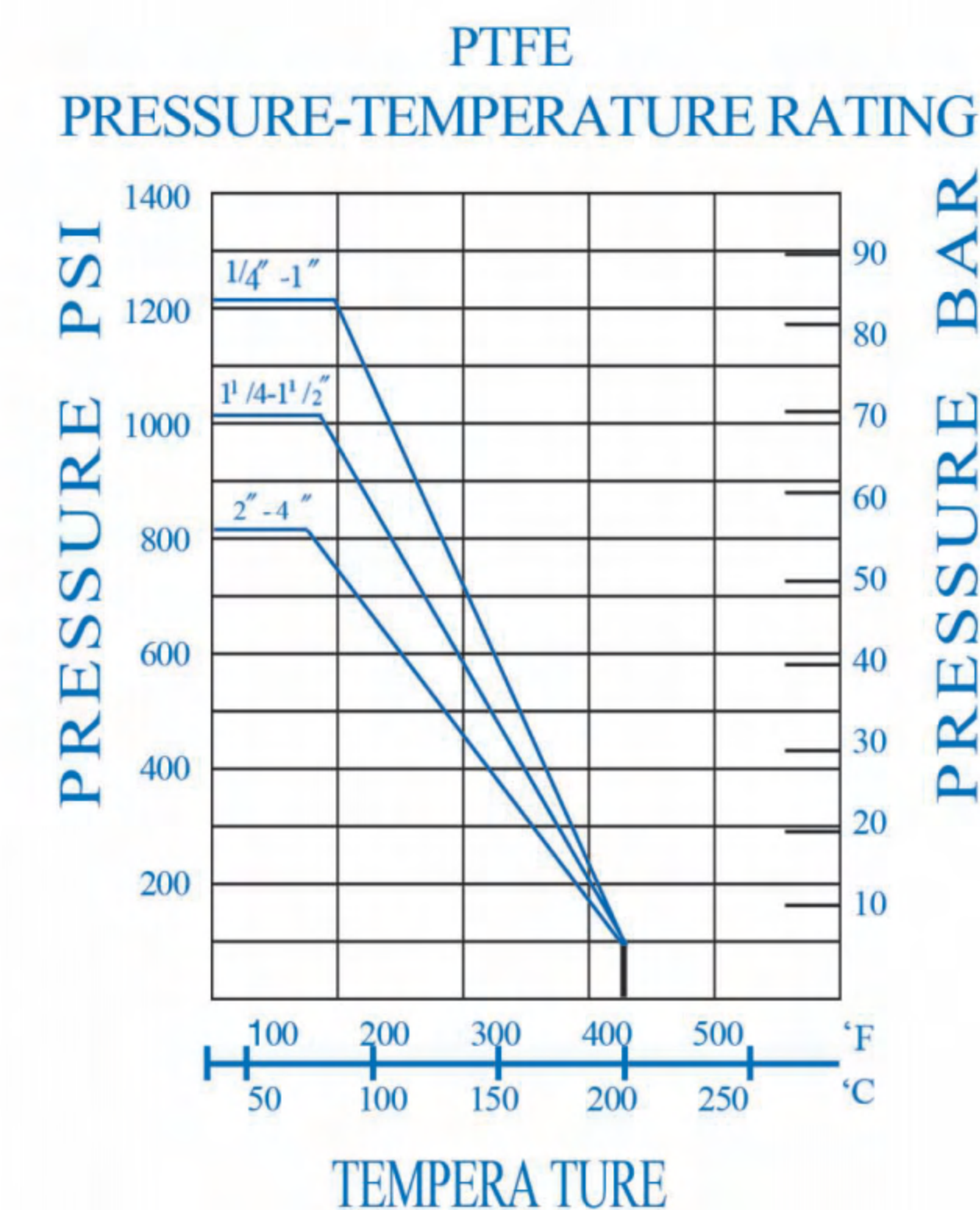


DESIGN STANDARD:ASMEB16.34 GB/T12237
 THREADED ENDS:PT、BSPT、BSP、NPT、DIN2999、DIN259、DIN EN ISO228
 PRODUCT STYLE:Q11F-1000WOG (C/P/R)
 WORKING PRESSURE:1000PSI
 TEMPERATURE RANGE:-20°C~180°C
 MATERIAL:ASTM-A351-CF8M、ASTM-A351-CF8、ASTM-A351-WCB
 TEST&INSPECTION:API598 JB/T9092

Item	Part Name	Material	Item	Part Name	Material
1	Body	CF8	8	Nut	SS304
2	Ball	SS304	9	Cap	CF8
3	Bolt	SS304	10	Seat	PTFE
4	Nut	SS304	11	Thrust Washer	PTFE
5	Packing	PTFE	12	Handle	SS201
6	Stem	SS304	13	Handle Cover	PVC
7	Gland	SS304			

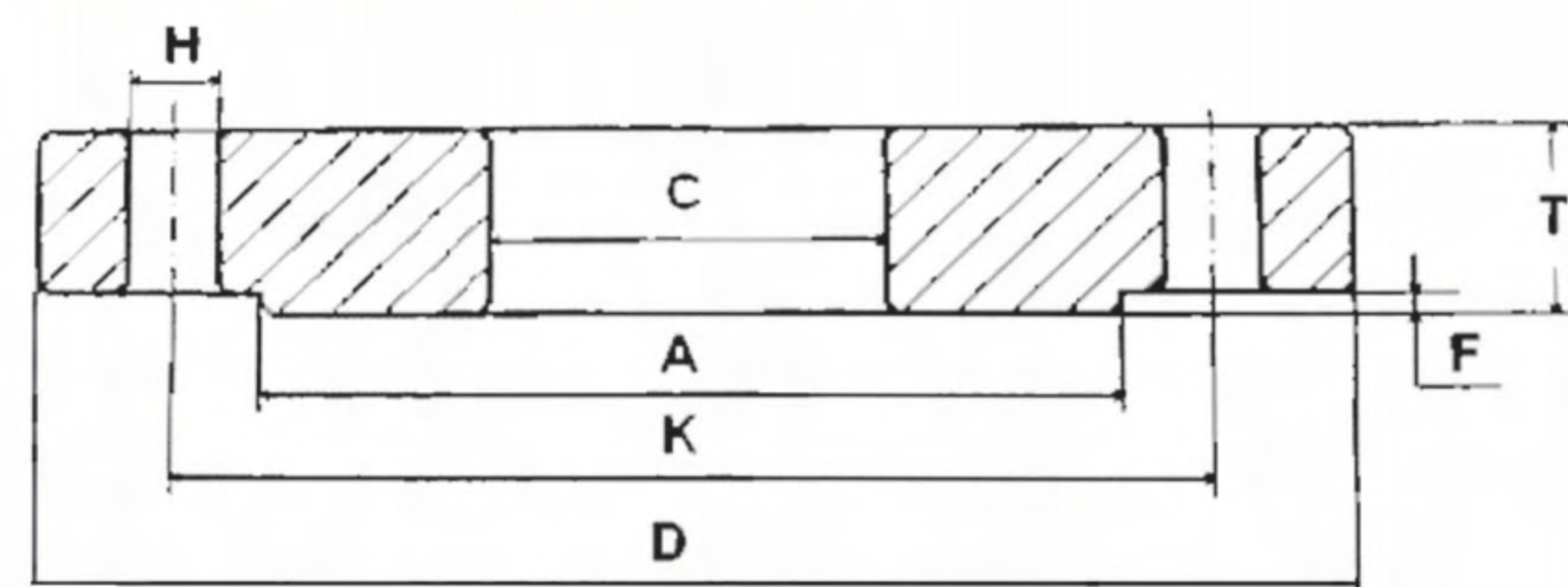
Main Size :											
Size	1/4"	3/8"	1/2"	3/4"	1"	1 1/4"	1 1/2"	2"	2 1/2"	3"	4"
DN	8	10	15	20	25	32	40	50	65	80	100
D	10.5	10.5	15	20	25	32	38	50	65	80	100
L	62	62	71	78	86	99	109	130	171	194	255
H	48	48	60	64	77	78	90	102	128	135	160
T	100	100	100	110	137	158	163	172	210	212	253
WEIGHT (Kg)	0.37	0.35	0.54	0.74	0.9	1.52	1.95	2.72	5.01	7.48	14.1

Item	Part Name	Material
1	Body	WCB/CF8/CF8M
2	Ball	SS304/SS316
3	Bolt	SS201/SS304
4	Nut	SS201/SS304
5	Packing	PTFE/RPIFE
6	Stem	SS304/SS316
7	Gland	SS201/SS304
8	Spring Washer	SS201/SS304
9	Nut	SS201/SS304
10	Cap	WCB/CF8/CF8M
11	Seat	PTFE/RPIFE
12	Thrust Washer	PTFE/RPIFE
13	Handle	SS201/SS304
14	Handle Cover	PVC
15	Lock	SS201/SS304



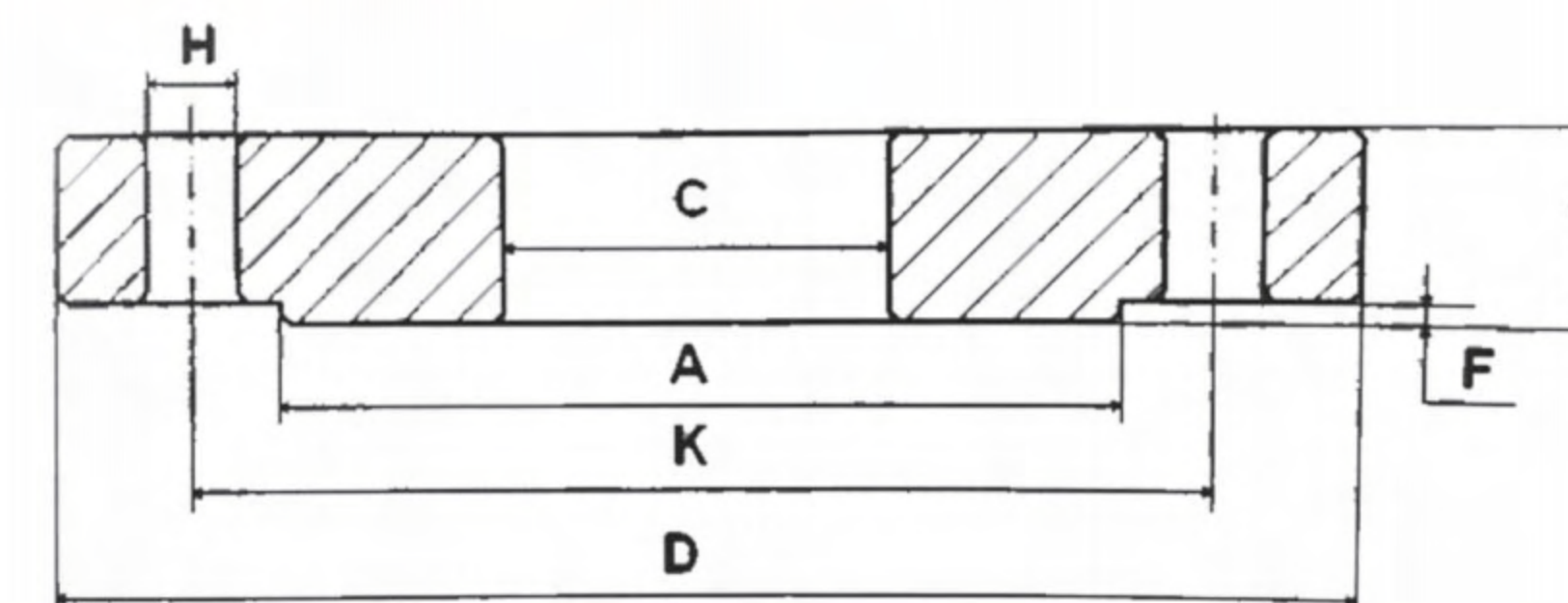
Main Size											
SIZE	1/4"	3/8"	1/2"	3/4"	1"	1 1/4"	1 1/2"	2"	2 1/2"	3"	4"
DN	8	10	15	20	25	32	40	50	65	80	100
D	8	10	15	20	25	32	40	50	65	80	100
L±1.5	66	66	63	70	82	99	109	126	185	205	235
H	51	51	56	64	69	80	89	101	121	141	169
T	89	89	107	120	126	143	160	171	205	235	296
KG	0.36	0.333	0.42	0.56	0.779	1.255	1.663	2.36	4.915	7.48	13.515

BS4504 PN10 PLATE FLANGE



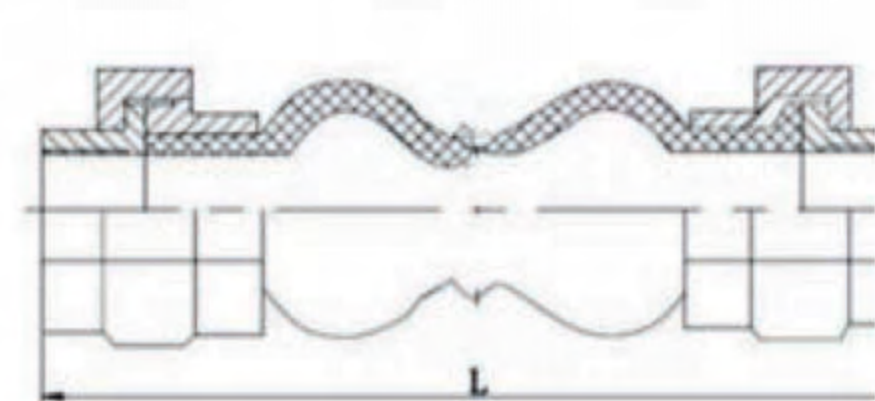
Pressure	Size	Size	OD	PCD	Hole Dia	No.Hole	ID	Plate T		RF	FF weight	RF weight
PN	Inch	DN	D	K	H		C	T	A	f	KG	KG
BS4504 PN10 plate flange	3/8"	10	90	60	14	4	18	14	40	2	0.6	0.53
	1/2"	15	95	65	14	4	22	14	45	2	0.67	0.59
	3/4"	20	105	75	14	4	27.5	16	58	2	0.94	0.85
	1"	25	115	85	14	4	34.5	16	68	2	1.11	1.01
	1 1/4"	32	140	100	18	4	43.5	18	78	2	1.82	1.67
	1 1/2"	40	150	110	18	4	49.5	18	88	3	2.08	1.83
	2"	50	165	125	18	4	61.5	20	102	3	2.73	2.45
	2 1/2"	65	185	145	18	4	77.5	20	122	3	3.32	2.99
	3"	80	200	160	18	8	90.5	20	138	3	3.61	3.27
	4"	100	220	180	18	8	116	22	158	3	4.39	4.01
	5"	125	250	210	18	8	141.5	22	188	3	5.41	4.96
	6"	150	285	240	22	8	170.5	24	212	3	7.15	6.55
	8"	200	340	295	22	8	221.5	24	268	3	9.28	8.54
	10"	250	395	350	22	12	276.5	26	320	3	11.83	10.95
	12"	300	445	400	22	12	327.5	26	370	4	13.63	12.26
	14"	350	505	460	22	16	359.5	26	430	4	20.39	18.85
16"	400	565	515	26	16	411	32	482	4	27.54	25.66	
18"	450	615	565	26	20	462	36	532	4	33.6	31.58	
20"	500	670	620	26	20	513.5	38	585	4	40.26	37.96	
24"	600	780	725	30	20	616.5	42	685	5	54.5	50.77	

BS4504 PN16 PLATE FLANGE



Pressure	Size	Size	OD	PCD	Hole Dia	No.Hole	ID	Plate T		RF	FF weight	RF weight
PN	Inch	DN	D	K	H		C	T	A	f	KG	KG
BS4504 PN16 plate flange	3/8"	10	90	60	14	4	18	14	40	2	0.6	0.53
	1/2"	15	95	65	14	4	22	14	45	2	0.67	0.59
	3/4"	20	105	75	14	4	27.5	16	58	2	0.94	0.85
	1"	25	115	85	14	4	34.5	16	68	2	1.11	1.01
	1 1/4"	32	140	100	18	4	43.5	18	78	2	1.82	1.67
	1 1/2"	40	150	110	18	4	49.5	18	88	3	2.08	1.83
	2"	50	165	125	18	4	61.5	20	102	3	2.73	2.45
	2 1/2"	65	185	145	18	4	77.5	20	122	3	3.32	2.99
	3"	80	200	160	18	8	90.5	20	138	3	3.61	3.27
	4"	100	220	180	18	8	116	22	158	3	4.39	4.01
	5"	125	250	210	18	8	141.5	22	188	3	5.41	4.96
	6"	150	285	240	22	8	170.5	24	212	3	7.15	6.55
	8"	200	340	295	22	12	221.5	26	268	3	9.74	9.04
	10"	250	405	355	26	12	276.5	29	320	3	14.22	13.23
	12"	300	460	410	26	12	327.5	32	378	4	19	17.5
	14"	350	520	470	26	16	359	35	438	4	28.23	26.55
16"	400	580	525	30	16	411	38	490	4	35.89	33.87	
18"	450	640	585	30	20	462	42	550	4	46.17	43.97	
20"	500	715	650	33	20	513.5	46	610	4	64.08	61.18	
24"	600	840	770	36	20	616.5	52	725	5	96.13	91.37	

UNION



Item	Part Name	Material	Item	Part Name	Material
1	Joint	malleable iron	2	Liner	EPDM or NBR

Function & Specifications

Working Temp	-15°C-85°C	Working Pressure	1.6Mpa
--------------	------------	------------------	--------

Size

IN	DN	L
1/2"	15	200
3/4"	20	200
1"	25	200
1 1/4"	32	215
1 1/2"	40	210
2"	50	220
2 1/2"	65	240
3"	80	285

RUBBER FLANGE JOINTS



Function & Specifications

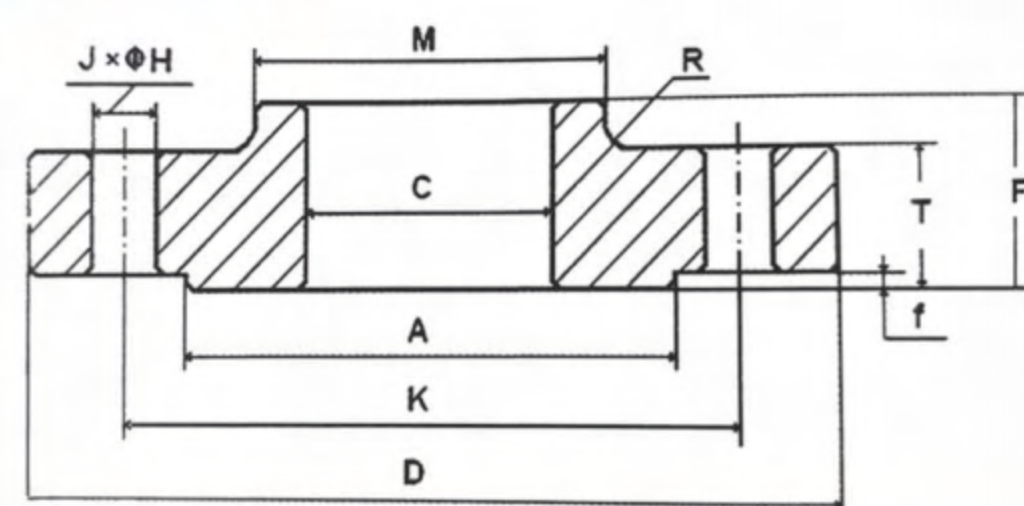
Type	KXT	Type	KXT
Vacuity Kpa(mmhg)	86.7(650)	Working Pressure(Mpa)	1.6
Applicable Temp	-15°C ~115°C	Bursting Pressure(Mpa)	3
Applicable Media	Water,Weak Acid,Alkali,etc	Angle of Deflection	15°C

Outline And Measurement

Size	DIN PN10/16					ANSI CLASS150		
	DN	L	D	D1	N-d	D	D1	n-d
1 1/4"	32	95	140	100	4-18	117.3	88.9	4-15.8
1 1/2"	40	95	150	110	4-18	127	99	4-15.8
2"	50	105	165	125	4-18	152.4	120.7	4-19.1
2 1/2"	65	115	185	145	4-18	177.8	139.7	4-19.1
3"	80	135	200	160	8-18	190.5	152.4	4-19.1
4"	100	150	220	180	8-18	228.6	190.5	8-19.1
5"	125	165	250	210	8-18	254	216	8-22.2
6"	150	180	285	240	8-23	279.4	241.3	8-22.2
8"	200	210	340	295	8-23/12-23	342.9	295.5	8-22.2
10"	250	230	395/405	350/355	12-23/12-27	406.4	362	12-25.4
12"	300	245	445/460	400/410	12-23/12-27	482.6	431.8	12-25.4
14"	350	255	505/520	460/470	16-23/16-27	533.4	476.3	12-28.5
16"	400	255	565/580	515/525	16-27/16-30	596.9	539.8	16-28.5
18"	450	255	615/640	565/585	20-27/20-30	635	577.9	16-31.8
20"	500	255	670/715	620/650	20-27/20-33	698.5	635	20-31.8
24"	600	260	780/840	725/770	20-30/20-36	815	749.3	20-35.1

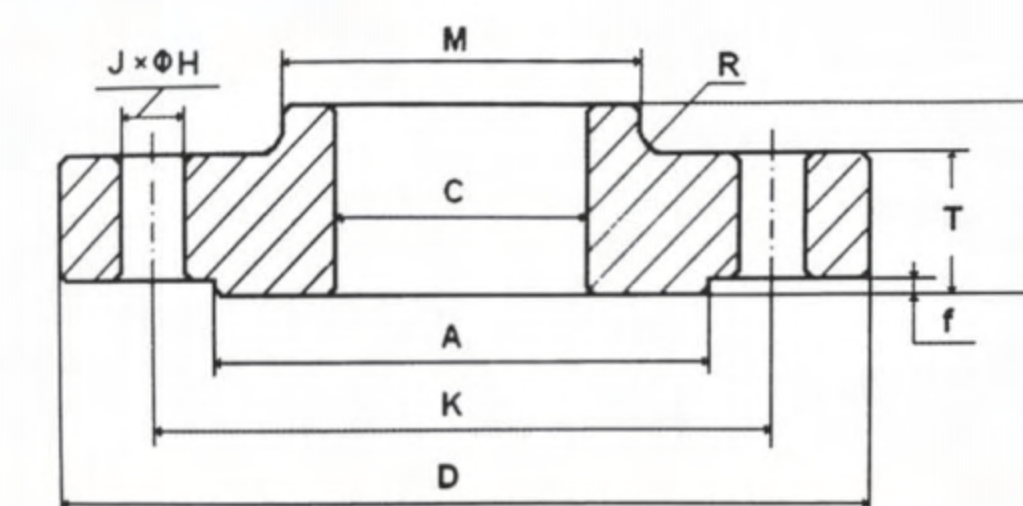
Size	BS4504 PN10/16					JIS 10K		
	DN	L	D	D1	N-d	D	D1	n-d
1 1/4"	32	95	140	100	4-18	135	100	4-19
1 1/2"	40	95	150	110	4-18	140	105	4-19
2"	50	105	165	125	4-18	155	120	4-19
2 1/2"	65	115	185	145	4-18	175	140	4-19
3"	80	135	200	160	8-18	185	150	8-19
4"	100	150	220	180	8-18	210	175	8-19
5"	125	165	250	210	8-18	250	210	8-23
6"	150	180	285	240	8-23	280	240	8-23
8"	200	210	340	295	8-23/12-23	330	290	12-23
10"	250	230	395/405	350/355	12-23/12-27	400	355	12-25
12"	300	245	445/460	400/410	12-23/12-27	445	400	16-25
14"	350	255	505/520	460/470	16-23/16-27	190	445	16-25
16"	400	255	565/580	515/525	16-27/16-30	560	510	16-27
18"	450	255	615/640	565/585	20-27/20-30	620	565	20-27
20"	500	255	670/715	620/650	20-27/20-33	675	620	20-27
24"	600	260	780/840	725/770	20-30/20-36	795	730	24-33

BS4504 SO PN10 FLANGE



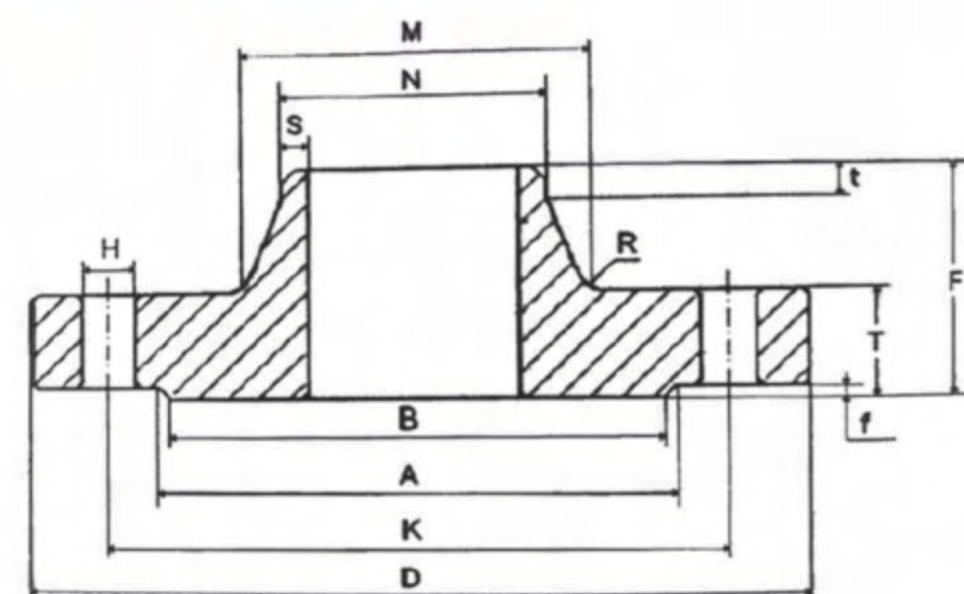
Pressure	Size	Size	OD	PCD	Hole Dia	No Hole	ID	Plate	Total	RF Dia	R		RF	RF weight	FF weight
PN	Inch	DN	D	K	H		C	T	F	M	R	A	f	KG	KG
BS4504 PN10 SO FLANGE	3/8"	10	90	60	14	4	18	14	20	30	3	40	2	0.55	0.63
	1/2"	15	95	65	14	4	22	14	20	35	3	45	2	0.62	0.70
	3/4"	20	105	75	14	4	27.5	16	24	45	4	58	2	0.91	1.00
	1"	25	115	85	14	4	34.5	16	24	52	4	68	2	1.09	1.19
	1 1/4"	32	140	100	18	4	43.5	16	26	60	5	78	2	1.57	1.73
	1 1/2"	40	150	110	18	4	49.5	16	26	70	5	88	3	1.75	2.00
	2"	50	165	125	18	4	61.5	18	28	84	5	102	3	2.37	2.66
	2 1/2"	65	185	145	18	4	77.5	18	32	104	6	122	3	3.07	3
	3"	80	200	160	18	8	90.5	20	34	118	6	138	3	3.76	4.10
	4"	100	220	180	18	8	116	20	40	140	6	158	3	4.36	4.75
	5"	125	250	210	18	8	141.5	22	44	168	6	188	3	6.07	7
	6"	150	285	240	22	8	170.5	22	44	195	8	212	3	7.17	7.8
	8"	200	340	295	22	8	221.5	24	44	246	8	268	3	9.95	11
	10"	250	395	350	22	12	276.5	26	46	298	10	320	3	12.47	13
	12"	300	445	400	22	12	327.5	26	46	350	10	370	4	14.15	15.51
	14"	350	505	460	22	16	359.5	26	53	400	10	430	4	22.52	24.06
16"	400	565	515	26	16	411	26	57	456	10	482	4	27.96	29.84	
18"	450	615	565	26	20	462	28	63	502	12	532	4	32.44	34.46	
20"	500	670	620	26	20	513.5	28	67	559	12	585	4	39.11	41.4	
24"	600	780	725	30	20	616.5	28	75	658	12	685	5	47.94	51.67	

BS4504 SO PN16 FLANGE

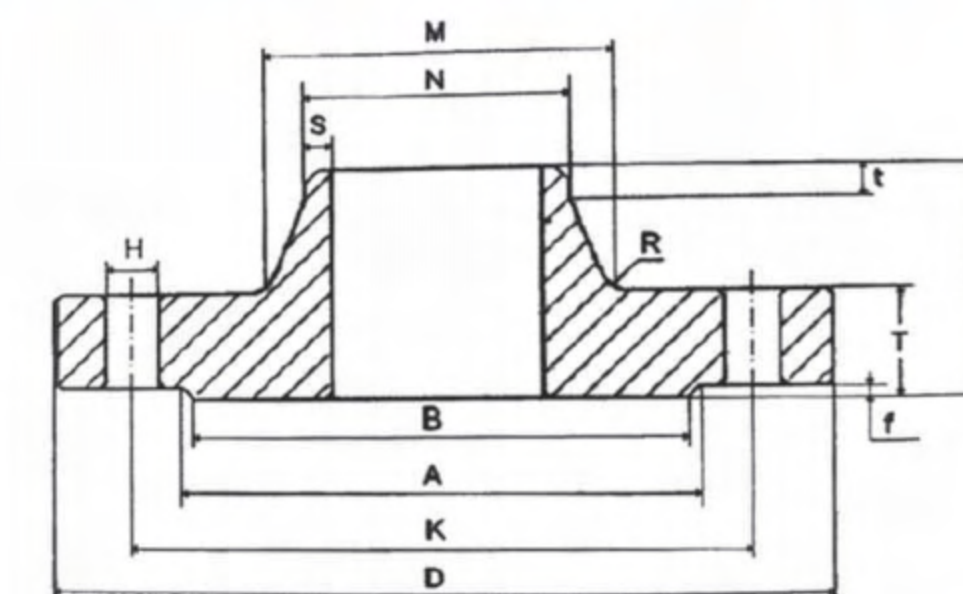


Pressure	Size	Size	OD	PCD	Hole Dia	No Hole	ID	Plate	Total	RF Dia	R		RF	RF weight	FF weight
PN	Inch	DN	D	K	H		C	T	F	M	R	A	f	KG	KG
BS4504 PN16 SO FLANGE	3/8"	10	90	60	14	4	18	14	20	30	3	40	2	0.55	0.63
	1/2"	15	95	65	14	4	22	14	20	35	3	45	2	0.62	0.7
	3/4"	20	105	75	14	4	27.5	16	24	45	4	58	2	0.91	1.00
	1"	25	115	85	14	4	34.5	16	24	52	4	68	2	1.09	1.19
	1 1/4"	32	140	100	18	4	43.5	16	26	60	5	78	2	1.57	1.73
	1 1/2"	40	150	110	18	4	49.5	16	26	70	5	88	3	1.75	2.00
	2"	50	165	125	18	4	61.5	18	28	84	5	102	3	2.37	2.66
	2 1/2"	65	185	145	18	4	77.5	18	32	104	6	122	3	3.07	3.41
	3"	80	200	160	18	8	90.5	20	34	118	6	138	3	3.76	4.10
	4"	100	220	180	18	8	116	20	40	140	6	158	3	4.36	4.75
	5"	125	250	210	18	8	141.5	22	44	168	6	188	3	6.07	6.53
	6"	150	285	240	22	8	170.5	22	44	195	8	212	3	7.17	7.77
	8"	200	340	295	22	12	221.5	24	44	246	8	268	3	9.70	10.41
	10"	250	405	355	26	12	276.5	26	46	298	10	320	3	13.28	14.27
	12"	300	460	410	26	12	327.5	28	46	350	10	378	4	16.82	18.32
	14"	350	520	470	26	16	359.5	30	57	400	10	438	4	27.71	29.38
16"	400	580	525	30	16	411	32	63	456	10	490	4	35.67	37.69	
18"	450	640	585	30	20	462	34	68	502	12	550	4	43.26	45.46	
20"	500	715	650	33	20	513.5	34	73	559	12	610	4	56.21	59.10	
24"	600	840	770	36	20	616.5	36	83	658	12	725	5	77.13	81.89	

BS4504 PN10 WELD NECK FLANGE

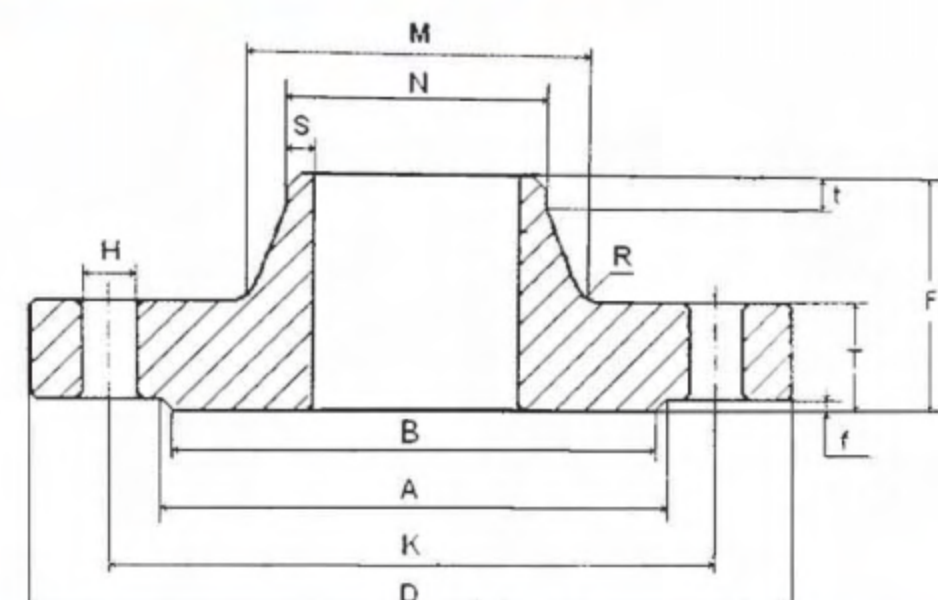


BS4504 PN10 WELD NECK FLANGE

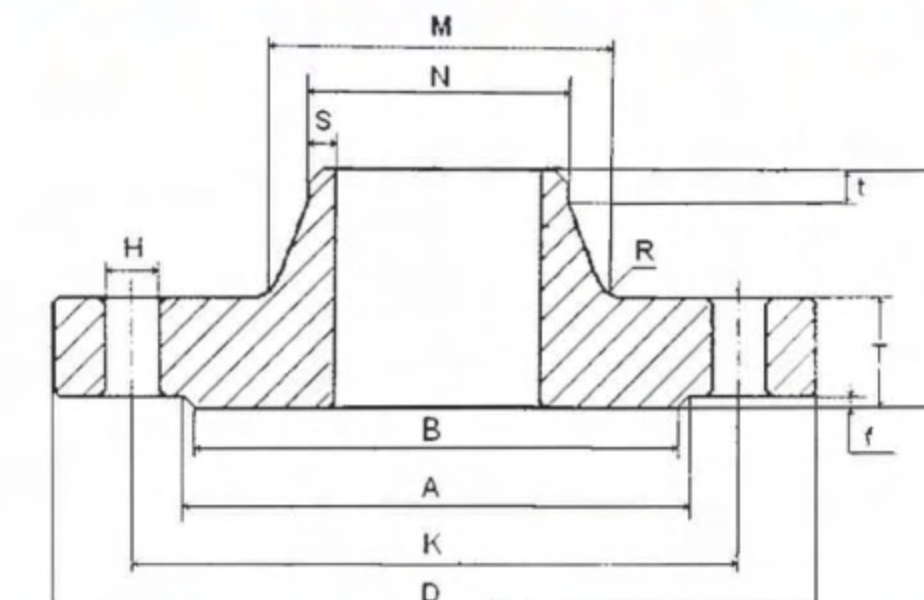


Pressure	Size	Size	OD	PCD	Hole Dia	No.Hole		Plate Thickness	Total Thickness			R	Water Line	Line Thickness		ID	RF Weight	FF Weight
PN	Inch	DN	D	K	H		N	T	F	t	M	R	A	f	S		KG	KG
BS4504 PN10 WELD NECK FLANGE	3/8"	10	90	60	14	4	17.2	14	35	6	28	3	40	2	1.8	13.6	0.59	0.66
	1/2"	15	95	65	14	4	21.3	14	35	6	32	3	45	2	2.0	17.3	0.66	0.74
	3/4"	20	105	75	14	4	26.9	16	38	6	39	4	58	2	2.3	22.3	0.96	1.24
	1"	25	115	85	14	4	33.7	16	38	6	46	4	68	2	2.6	28.5	1.16	1.25
	1 1/4"	32	140	100	18	4	42.4	16	40	6	56	5	78	2	2.6	37.2	1.67	1.82
	1 1/2"	40	150	110	18	4	48.3	16	42	7	64	5	88	3	2.6	43.1	1.87	2.12
	2"	50	165	125	18	4	60.3	18	45	8	74	5	102	3	2.9	54.5	2.52	2.81
	2 1/2"	65	185	145	18	4	76.1	18	45	10	92	6	122	3	2.9	70.3	3.13	3.46
	3"	80	200	160	18	8	88.9	20	50	10	110	6	138	3	3.2	82.5	4.01	4.35
	4"	100	220	180	18	8	114.3	20	52	12	130	6	158	3	3.6	107.1	4.53	4.92
	5"	125	250	210	18	8	139.7	22	55	12	158	6	188	3	4.0	131.7	6.30	6.76
	6"	150	285	240	22	8	168.3	22	55	12	184	8	212	3	4.5	159.3	7.61	8.21
	8"	200	340	295	22	8	219.1	24	62	16	234	8	268	3	5.6	207.9	11.31	12.04
	10"	250	395	350	22	12	273.0	26	68	16	288	10	320	3	6.3	260.4	15.15	16.04
	12"	300	445	400	22	12	321.9	26	68	16	342	10	370	4	7.1	309.7	17.96	19.32
	14"	350	505	460	22	16	355.6	26	68	16	390	10	430	4	7.1	341.4	25.24	26.78
	16"	400	565	515	26	16	406.4	26	72	16	440	10	482	4	7.1	392.2	30.10	31.97
	18"	450	615	565	26	20	457.0	28	72	16	488	12	532	4	7.1	442.8	34.50	36.51
	20"	500	670	620	26	20	508.0	28	75	16	540	12	585	4	7.1	493.8	39.71	42.00
	24"	600	780	725	30	20	610.0	28	80	18	640	12	685	5	7.1	595.8	48.37	52.11
28"	700	895	840	30	24	711.0	30	80	18	746	12	800	5	8.0	695.0	65.27	69.58	
32"	800	1015	950	33	24	813.0	32	90	18	848	12	905	5	8.0	797.0	86.63	92.34	
36"	900	1115	1050	33	28	914.0	34	95	20	948	12	1005	5	10.0	894.0	105.90	112.16	
40"	1000	1230	1160	36	28	1016.0	34	95	20	1050	12	1110	5	10.0	996.0	122.37	129.91	
	1200	1455	1380	39	32	1219.0	38	115	25	1256	12	1330	5	11.0	1197.0	186.61	195.85	
	1400	1675	1590	42	36	1422.0	42	120	25	1460	12	1535	5	12.0	1398.0	250.97	262.88	
	1600	1915	1820	48	40	1626.0	46	130	25	1666	12	1760	5	14.0	1598.0	355.86	370.61	
	1800	2115	2020	48	44	1829.0	50	140	30	1866	15	1960	5	15.0	1799.0	432.14	448.49	
	2000	2325	2230	48	48	2032.0	54	150	30	2070	15	2170	5	16.0	2000.0	535.77	553.86	

BS4504 PN16 WELD NECK FLANGE

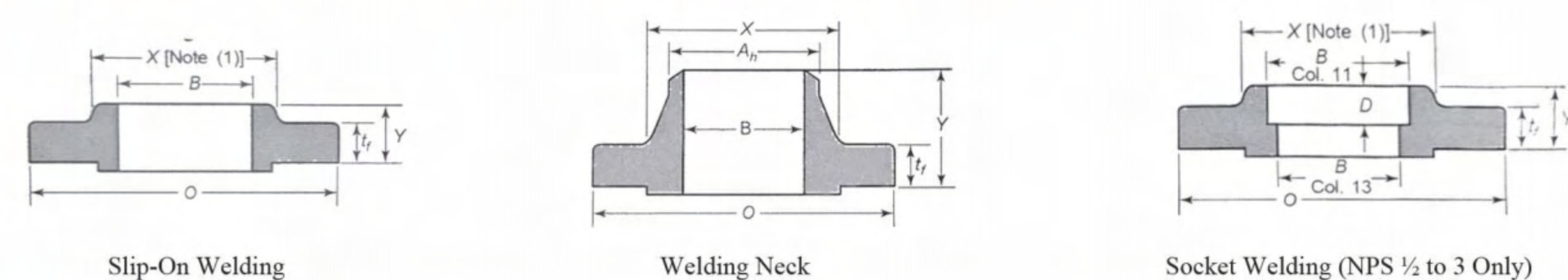


BS4504 PN16 WELD NECK FLANGE

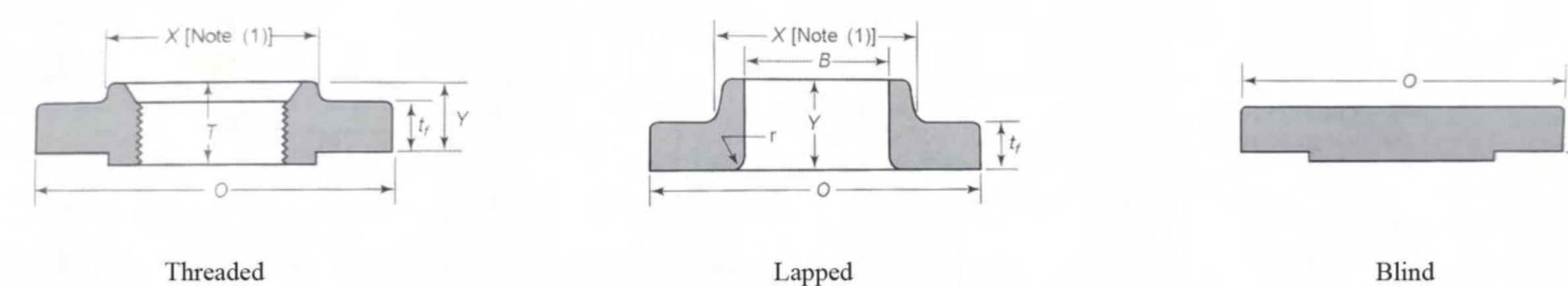


Pressure	Size	Size	PCD	Hole Dia	No.Hole		Plate Thickness	Total Thickness			R	Water Line	Line Thickness		ID	RF Weight	FF Weight
PN	DN	D	K	H		N	T	F	t	M	R	A	f	S	—	KG	KG
BS4504 PN16 WELD NECK FLANGE	10	90	60	14	4	17.2	14	35	6	28	3	40	2	1.8	13.6	0.59	0.66
	15	95	65	14	4	21.3	14	35	6	32	3	45	2	2.0	17.3	0.66	0.74
	20	105	75	14	4	26.9	16	38	6	39	4	58	2	2.3	22.3	0.96	1.04
	25	115	85	14	4	33.7	16	38	6	46	4	68	2	2.6	28.5	1.16	1.25
	32	140	100	18	4	42.4	16	40	6	56	5	78	2	2.6	37.2	1.67	1.82
	40	150	110	18	4	48.3	16	42	7	64	5	88	3	2.6	43.1	1.87	2.12
	50	165	125	18	4	60.3	18	45	8	74	5	102	3	2.9	54.5	2.52	2.81
	65	185	145	18	4	76.1	18	45	10	92	6	122	3	2.9	70.3	3.13	3.46
	80	200	160	18	8	88.9	20	50	10	100	6	138	3	3.2	82.5	4.01	4.35
	100	220	180	18	8	114.3	20	52	12	120	6	158	3	3.6	107.1	4.53	4.92
	125	250	210	18	8	139.7	22	55	12	130	6	188	3	4.0	131.7	6.3	6.76
	150	285	240	22	8	168.3	22	55	12	150	8	212	3	4.5	159.3	7.61	8.21
	200	340	295	22	12	219.1	24	62	16	180	8	268	3	5.6	207.9	11.05	11.76
	250	405	355	26	12	273	26	70	16	210	10	320	3	6.3	260.4	16.09	17.09
	300	460	410	26	12	323.9	28	78	16	240	10	378	4	7.1	309.7	21.7	23.19
	350	520	470	26	16	355.6	30	82	16	270	10	438	4	8.0	339.6	32.62	34.29
	400	580	525	30	16	406.4	32	85	16	300	10	490	4	8.0	390.4	40.74	42.76
	450	640	585	30	20	457	34	87	16	330	12	550	4	8.0	441	48.87	51.07
	500	715	650	33	20	508	34	90	16	360	12	610	4	8.0	492	61.32	64.22
	600	840	770	36	20	610	36	95	18	420	12	725	5	8.8	592.4	85	89.75
700	910	840	36	24	711	36	100	18	480	12	795	5	8.8	693.4	86	91.09	
800	1025	950	39	24	813	38	105	20	540	12	900	5	10.0	793	109.2	115.5	
900	1125	1050	39	28	914	40	110	20	600	12	1000	5	10.0	894	126.88	133.76	
1000	1255	1170	42	28	1016	42	120	22	660	12	1115	5	10.0	996	168.69	177.4	
1200	1485	1390	48	32	1219	48	130	30	720	12	1330	5	12.5	1194	253.88	265.07	
1400	1685	1590	48	36	1422	52	145	30	780	12	1530	5	14.2	1393.6	329.64	342.45	
1600	1930	1820	56	40	1626	58	160	35	840	12	1750	5	16.0	1594	470.38	486.94	
1800	2130	2020	56	44	1829	62	170	35	900	15	1950	5	17.5	1794	567.93	586.34	
2000	2345	2230	62	48	2032	66	190	40	960	15	2150	5	20.0	1992	712.59	733.94	

CLASS300 FLANGE ASME B16.5-2013



CLASS300 FLANGE ASME B16.5-2013

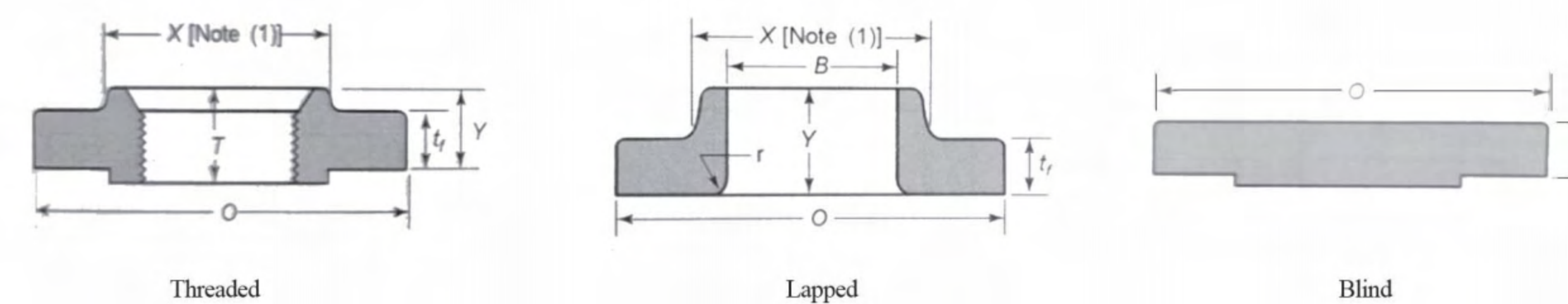
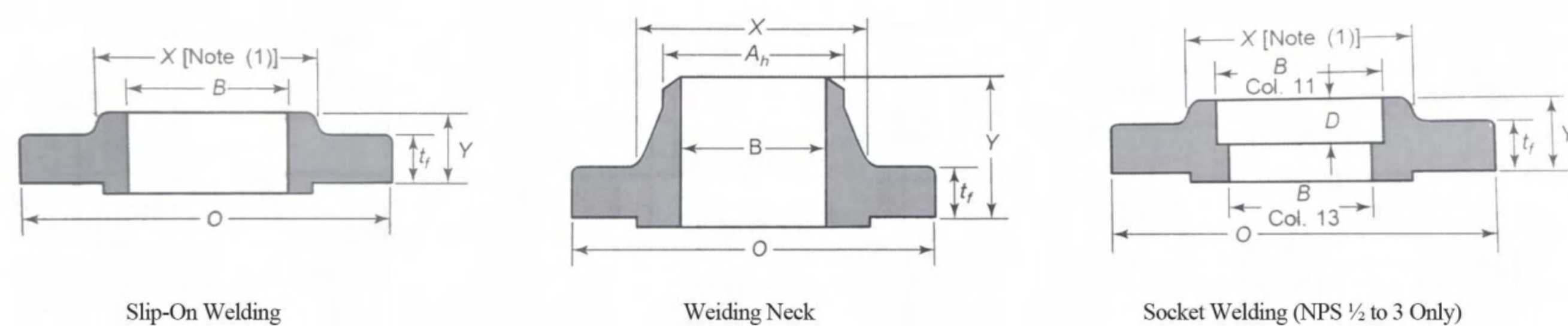


Normal Pipe Size	Outside Diameter of Flange	Minimum Thickness of Flange	Minimum Thickness Lap Joint	Diameter of Hut	Hub Diameter Beginning of Clamfer Welding Neck	Length Through Hut			Minimum Thread length Threaded	Bore		
						Threaded/ Slip-on/Socket Welding	Lapped	Welding Neck		Threaded/ Slip-on/Socket Welding	Minimum Lapped	Welding Neck Socket Welding
NPS	O	T _f	T _u	X	A _h	Y	Y	Y	T	B	B	B
1/2"	95	12.7	14.3	38	21.3	21	22	51	16	22.2	22.9	15.8
3/4"	115	14.3	15.9	48	26.7	24	25	56	16	27.7	28.2	20.8
1"	125	15.9	17.5	54	33.4	25	27	60	18	34.5	34.9	26.6
1 1/4"	135	17.5	19.1	64	42.2	25	27	64	21	43.2	43.7	35.1
1 1/2"	155	19.1	20.7	70	48.3	29	30	67	23	49.5	50.0	40.9
2"	165	20.7	22.3	84	60.3	32	33	68	29	61.9	62.5	52.5
2 1/2"	190	23.9	25.4	100	73.0	37	38	75	32	74.6	75.4	62.7
3"	210	27.0	28.6	117	88.9	41	43	78	32	90.7	91.4	77.9
3 1/2"	230	28.6	30.2	133	101.6	43	44	79	37	103.4	104.1	90.1
4"	255	30.2	31.8	146	114.3	46	48	84	37	116.1	116.8	102.3
5"	280	33.4	35.0	178	141.3	49	49	97	43	143.8	144.4	128.2
6"	320	35.0	36.6	206	168.3	51	51	97	47	170.7	171.4	154.1
8"	380	39.7	41.3	260	219.1	60	60	110	51	221.5	222.2	202.7
10"	445	46.1	47.7	321	273.0	65	65	116	56	276.2	277.4	254.6
12"	520	49.3	50.8	375	323.8	70	71	129	61	327.0	328.2	304.8
14"	585	52.4	54.0	425	355.6	75	75	141	64	359.2	360.2	
16"	650	55.6	57.2	483	406.4	81	81	144	69	410.5	411.2	
18"	710	58.8	60.4	533	457.0	87	87	157	70	461.8	462.3	
20"	775	62.0	63.5	587	508.0	94	94	160	74	513.1	514.4	
24"	915	68.3	69.9	702	610.0	105	105	167	83	616.0	616.0	

Normal Pipe Size	Comer Bore Radius of Lapped Flange and Pipe	Minimum Counter bore Threaded Flange	Depth of Socket	APPROXIMATE WEIGHT						
				Welding Neck			Slip-on & Threaded	Lapped	Blind	Socket Welding
NPS	r	Q	D	SCH40	SCH80	SCH160				
1/2"	3	23.6	10	0.91	0.91	0.91	0.63	0.63	0.63	0.63
3/4"	3	29.0	11	1.36	1.36	1.36	1.16	1.16	1.16	1.19
1"	3	35.8	13	1.82	1.87	1.93	1.39	1.39	1.42	1.44
1 1/4"	5	44.4	14	2.27	2.35	2.41	1.75	1.75	1.88	1.75
1 1/2"	6	50.3	16	3.18	3.28	3.40	2.53	2.53	2.68	2.62
2"	8	63.5	17	3.36	3.49	3.75	2.90	2.91	3.22	2.94
2 1/2"	8	76.2	19	5.45	5.72	6.02	4.25	4.25	4.80	4.49
3"	10	92.2	21	7.32	7.52	8.94	5.92	5.94	6.89	6.2
3 1/2"	10	104.9		8.93	9.31	10.10	7.72	7.74	9.53	
4"	11	117.6		12.10	12.62	13.69	10.13	10.15	11.2	
5"	11	144.4		16.30	17.42	19.08	12.58	12.6	15.96	
6"	13	171.4		20.40	21.86	24.07	16.04	16.05	21.40	
8"	13	222.2		31.30	33.75	38.69	24.5	24.53	34.6	
10"	13	276.2		45.40	50.43	58.38	34.16	39.92	53.50	
12"	13	328.6		64.50	72.35	85.10	51.26	58.7	78.9	
14"	13	360.4		93.50	105.61	122.49	72.12	83.46	107.5	
16"	13	411.2		113.10	130.25	152.56	90.4	106.14	139.25	
18"	13	462.0		138.90	164.74	195.07	109	133.95	176.9	
20"	13	512.8		167.70	202.32	240.17	136	157.65	223.17	
24"	13	614.4		238.68	288.15	348.28	204	240.4	342	

CLASS150 FLANGE ASME B16.5-2013

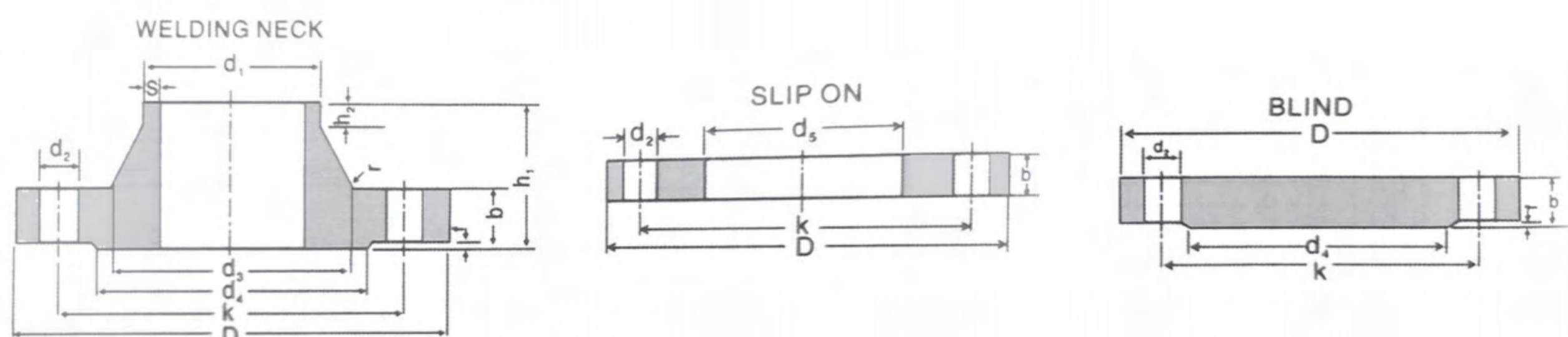
CLASS150 FLANGE ASME B16.5-2013



Normal Pipe Size	Outside Diameter of Flange	Minimum Thickness of Flange	Minimum Thickness Lap Joint	Diameter of Hut	Hub Diameter Beginning of Clamfer Welding Neck	Length Through Hut			Minimum Thread length Threaded	Bore		
						Threaded/Slip-on/Socket Welding	Lapped	Welding Neck		Threaded/Slip-on/Socket Welding	Minimum Lapped	Welding Neck Socket Welding
NPS	O	T_f	T_f	X	A_h	Y	Y	Y	T	B	B	B
1/2"	90	9.6	11.2	30	21.3	14	16	46	16	22.2	22.9	15.8
3/4"	100	11.2	12.7	38	26.7	14	16	51	16	27.7	28.2	20.9
1"	110	12.7	14.3	49	33.4	16	17	54	17	34.5	34.9	26.6
1 1/4"	115	14.3	15.9	59	42.2	19	21	56	21	43.2	43.7	35.1
1 1/2"	125	15.9	17.5	65	48.3	21	22	60	22	49.5	50.0	40.9
2"	150	17.5	19.1	78	60.3	24	25	62	25	61.9	62.5	52.5
2 1/2"	180	20.7	22.3	90	73.0	27	29	68	29	74.6	75.4	62.7
3"	190	22.3	23.9	108	88.9	29	30	68	30	90.7	91.4	77.9
3 1/2"	215	22.3	23.9	122	101.6	30	32	70	32	103.4	104.1	90.1
4"	230	22.3	23.9	135	114.3	32	33	75	33	116.1	116.8	102.3
5"	255	22.3	23.9	164	141.3	35	36	87	36	143.8	144.4	128.2
6"	280	23.9	25.4	192	168.3	38	40	87	40	170.7	171.4	154.1
8"	345	27	28.6	246	219.1	43	44	100	44	221.5	222.2	202.7
10"	405	28.6	30.2	305	273.0	48	49	100	49	276.2	277.4	254.6
12"	485	30.2	31.8	365	323.8	54	56	113	56	327.0	328.2	304.8
14"	535	33.4	35.0	400	355.6	56	79	125	57	359.2	360.2	∴
16"	595	35	36.6	457	406.4	62	87	125	64	410.5	411.2	∴
18"	635	38.1	39.7	505	457.0	67	97	138	68	461.8	462.3	∴
20"	700	41.3	42.9	559	508.0	71	103	143	73	513.1	514.4	∴
24"	815	46.1	46.1	663	610.0	81	111	151	83	616.0	616.0	∴

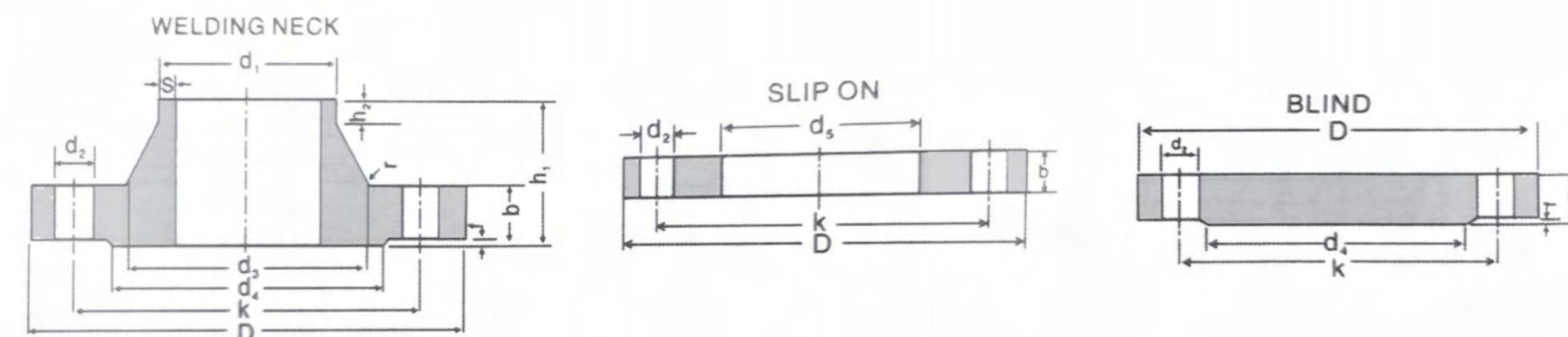
Normal Pipe Size	Comer Bore Radius of Lapped Flange and Pipe	Depth of Socket	APPROXIMATE WEIGHT						
			Welding Neck			Slip-on & Threaded	Lapped	Blind	Socket Welding
NPS	r	D	SCH40	SCH80	SCH160	kg	kg	kg	kg
1/2"	3	10	0.60	0.60	0.60	0.47	0.51	0.47	0.47
3/4"	3	11	0.90	0.90	0.90	0.58	0.64	0.63	0.59
1"	3	13	1.14	1.18	1.24	0.86	0.93	0.94	0.87
1 1/4"	5	14	1.41	1.48	1.54	1.08	1.16	1.23	1.11
1 1/2"	6	16	1.81	1.90	2.01	1.41	1.51	1.62	1.45
2"	8	17	2.72	2.84	3.07	2.26	2.38	2.64	2.33
2 1/2"	8	19	4.45	4.70	4.98	3.43	3.6	4.07	3.55
3"	10	21	5.22	5.54	5.90	3.87	4.04	4.92	4.02
3 1/2"	10	∴	6.40	6.76	7.46	5.2	5.24	5.9	5.24
4"	11	∴	7.49	7.96	8.90	5.75	5.96	7.41	5.99
5"	11	∴	9.53	10.54	12.04	6.26	6.44	8.76	6.68
6"	13	∴	11.80	13.12	15.11	7.38	7.65	11.40	8.6
8"	13	∴	19.10	21.34	25.84	12.36	12.66	20.10	13.60
10"	13	∴	24.50	28.85	35.74	17.10	17.4	29.39	19.50
12"	13	∴	39.90	46.80	58.01	27.68	28.3	43.80	29.10
14"	13	∴	51.80	62.58	77.60	35.2	41.5	59.42	40.90
16"	13	∴	64.50	79.42	98.82	45.5	52.98	77.40	47.17
18"	13	∴	74.90	97.63	124.32	49.71	59	94.8	54.43
20"	13	∴	89.40	120.44	154.18	66.5	72.12	123.4	70.31
24"	13	∴	121.70	169.37	223.92	90.5	99.42	188.24	95.25

DIN 10BAR FLANGE



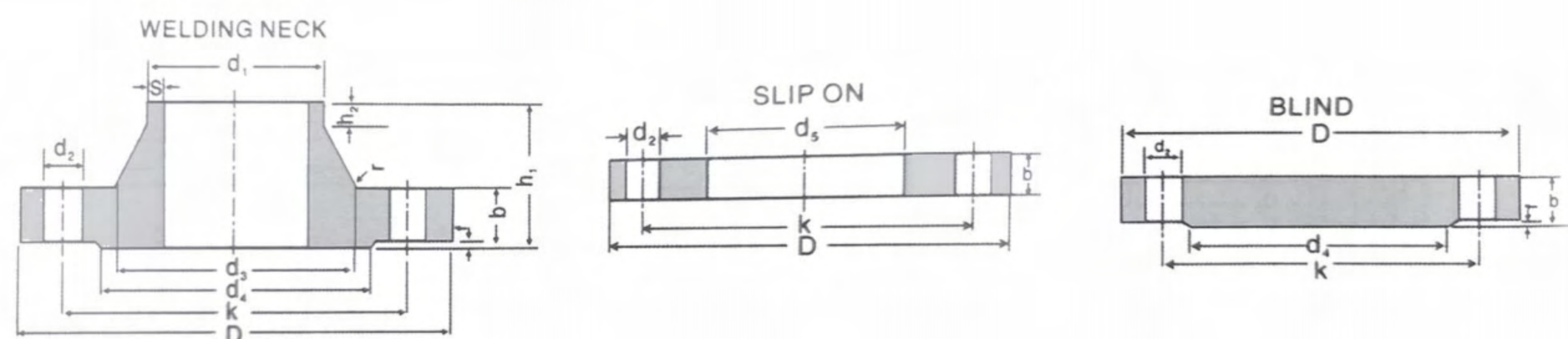
Din 10Bar			DIN2576 Slip On Flange DIN2527 Blind Flange DIN2632 Welding Neck Flange																	
Bore		Common Dimension			Hub					Raised face		Drilling		Approx.Weight(Kg)						
DN	d1	d5	D	B			K	h1	d3	S	R	h2	d4	F	Number of Bolt	d2	Din 2576	Din 2632	Din 2527	
				Welding neck	Slip On	Blind														
10	14	14.5	90	14	14	14	60	35	25	1.8	4	6	40	2	4	14	0.613	0.58	0.63	
	17.2	17.7							28								0.605			
15	20	21	95	14	14	14	65	35	30	2	4	6	45	2	4	14	0.675	0.648	0.72	
		21.3							22								32			0.669
20	25	26	105	16	16	16	75	38	38	2.3	4	6	58	2	4	14	0.943	0.952	1.01	
		26.9							27.6								40			0.936
25	30	31	115	16	16	16	85	38	42	2.6	4	6	68	2	4	14	1.14	1.14	1.23	
		33.7							34.4								45			1.11
32	38	39	140	16	16	16	100	40	52	2.6	6	6	78	2	4	18	1.66	1.69	1.8	
		42.4							43.1								56			1.62
40	44.5	45.5	150	16	16	16	110	42	60	2.6	6	7	88	3	4	18	1.89	1.86	2.09	
		48.3							49								64			1.86
50	57	58.1	165	18	18	18	125	45	72	2.9	6	8	102	3	4	18	2.51	2.53	2.88	
		60.3							61.1								75			2.47
65	76.1	77.1	185	18	18	18	145	45	90	2.9	6	10	122	3	4	18	3	3.06	3.66	
80	88.9	90.3	200	20	20	20	160	50	105	3.2	8	10	138	3	8	18	3.79	3.7	4.77	
100	108	110	220	20	20	20	180	52	125	3.6	8	12	158	3	8	18	4.2	4.62	5.65	
		114							116								131			4.03
125	133	135	250	22	22	22	210	55	150	4	8	12	188	3	8	18	5.71	6.3	8.42	
		140							142								156			5.46
150	159	161	285	22	22	22	240	55	175	4.5	10	12	212	3	8	22	6.72	7.75	10.4	
		168							171								184			6.57
175	194	196	315	24	24	24	270	60	210	5.4	10	12	242	3	8	22	8.45	9.85	14	
200	219	222	340	24	24	24	295	62	235	5.9	10	16	268	3	8	22	9.31	11.3	16.9	
250	267	270	395	26	26	26	350	68	285	6.3	12	16	320	3	12	22	12.5	14.7	24.7	
		273							276								292			11.9

DIN 10BAR FLANGE



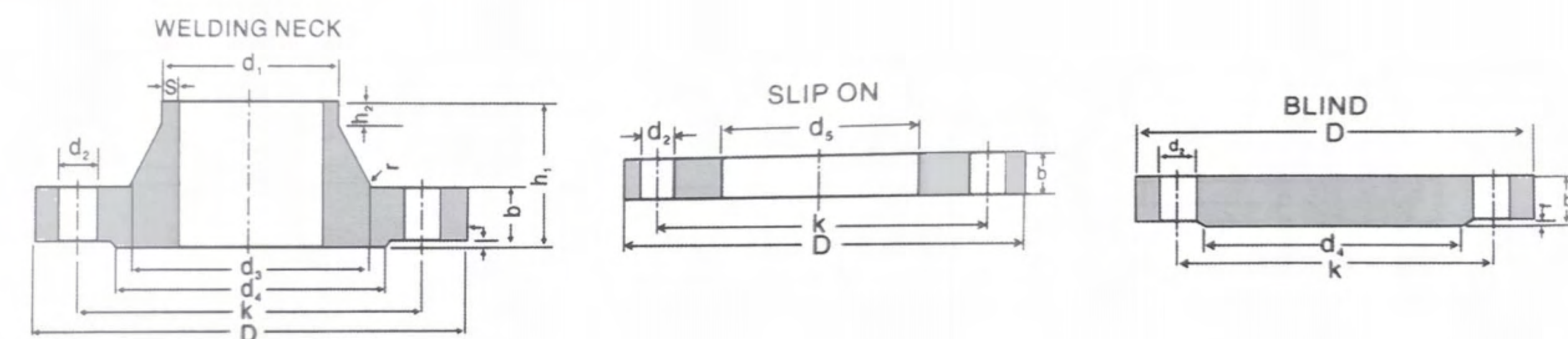
Din 10Bar			DIN2576 Slip On Flange DIN2527 Blind Flange DIN2632 Welding Neck Flange																	
Bore		Common Dimension			Hub					Raised face		Drilling		Approx.Weight(Kg)						
DN	d1	d5	D	B			K	h1	d3	S	R	h2	d4	F	Number of Bolt	d2	Din 2576	Din 2632	Din 2527	
				Welding neck	Slip On	Blind														
300	323.9	327.6	445	26	26	26	400	68	344	7.1	12	16	370	4	12	22	13.8	17.4	31.9	
350	355.6	359.7	505	26	28	26	460	68	385	7.1	12	16	430	4	16	22	20.6	21.6	41.9	
		368															372.2			19
400	406.4	411	565	26	32	26	515	72	440	7.1	12	16	482	4	16	26	27.9	26.2	51.2	
		419															423.7			25.9
500	508	513.6	670	28	38	28	620	75	542	7.1	12	16	585	4	20	26	41.1	38.1	77.8	
600	610	616.5	780	28	40		725	80	642	7.1	12	18	685	5	20	30	51.87	44.6		
700	711	716	895	30	40		840	80	745	8	12	18	800	5	24	30	65.79	624		
800	813	818	1015	32	44		950	90	850	8	12	18	905	5	24	33	90.87	84.1		
900	914	920	1115	34	48		1050	95	950	10	12	20	1005	5	28	33	108.41	98.5		
1000	1016	1022	1250	34	50		1160	95	1052	10	16	20	1110	5	28	36	133.21	115		
1200	1220	1226	1455	38	54		1380	115	1255	11	16	25	1330	5	32	39	188.2	182		
1400	1420	1426	1675	42	60		1590	120	1460	12	16	25	1535	5	36	42	262.14	248		
1600	1620	1626	1915	46	64		1820	130	1665	14	16	25	1760	5	40	48	367.43	347		
1800	1820	1826	2115	50	70		2020	140	1868	15	16	30	960	5	41	48	447.79	430		
2000	2020	2026	2325	34	76		2230	150	2072	16	16	30	2170	5	48	48	577.77	539		
2200	2220	2226	2550	58	82		2440	160	2275	18	18	35	2370	6	52	56	699.88	658		
2400	2420	2426	2760	62	88		2650	170	2478	20	18	35	2570	6	56	56	844.49	825		
2600	2620	2626	2960	66	94		2850	180	2680	22	18	40	2780	6	60	56	972.13	979		
2800	2820	2826	3180	70	100		3070	190	2882	22	18	40	3000	6	64	56	1187.1	1156		
3000	3020	3026	3405	75	106		3290	200	3085	24	18	45	3210	6	68	62	1422.1	1420		

DIN 16BAR FLANGE



Din 16Bar			DIN2576 Slip On Flange															DIN2527 Blind Flange			DIN2632 Welding Neck Flange		
Bore		Common Dimension			Hub				Raised face		Drilling		Approx.Weight(Kg)										
DN	d1	d5	D	B			K	h1	d3	S	R	h2	d4	F	Number of Bolt	d2	Din 2502	Din 2633	Din 2527				
				Welding neck	Slip On	Blind																	
350	355.6	359.7	520	30	30	30	470	82	390	8	12	16	438	4	16	26	26.6	28.8	47.8				
	368	372.2																					
400	406.4	411	580	32	32	32	525	85	445	8	12	16	490	4	16	30	30.9	36.3	63.5				
		419																		423.7			
500	508	514	715	34	38	34	650	90	548	8	12	16	610	4	20	33	54	61	102				
600	610	616.5	840	36	42	36	770	95	652	9	12	18	725	5	20	36	77.58	75.4	149.7				
700	711	716	910	36	44	36	840	100	755	9	12	18	795	5	24	36	77.13	77	173.7				
800	813	818	1025	38	50	38	950	105	855	10	12	20	900	5	24	39	106.4	101	235.5				
900	914	920	1125	40	54	40	1050	110	955	10	12	20	1000	5	28	39	125.4	122	298.8				
1000	1016	1022	1255	42	60	42	1170	120	1058	10	16	22	1115	5	28	42	178	162	390.7				
1200	1220	1226	1485	48	68	48	1390	130	1262	13	16	30	1330	5	32	48	263.5	243	624.8				
1400	1420	1426	1685	52	74	52	1590	145	1465	14	16	30	1530	5	36	48	329.8	323	872.6				
1600	1620	1626	1930	58	82	58	1820	160	1668	16	16	35	1750	5	40	56	483.1	479	1275				
1800	1820	1826	2130	62	88	62	2020	170	1870	18	16	35	1950	5	44	56	577.6	599	1662				
2000	2020	2026	2345	66	94	66	2230	180	2072	20	16	40	2150	5	48	62	720.9	719	2142				

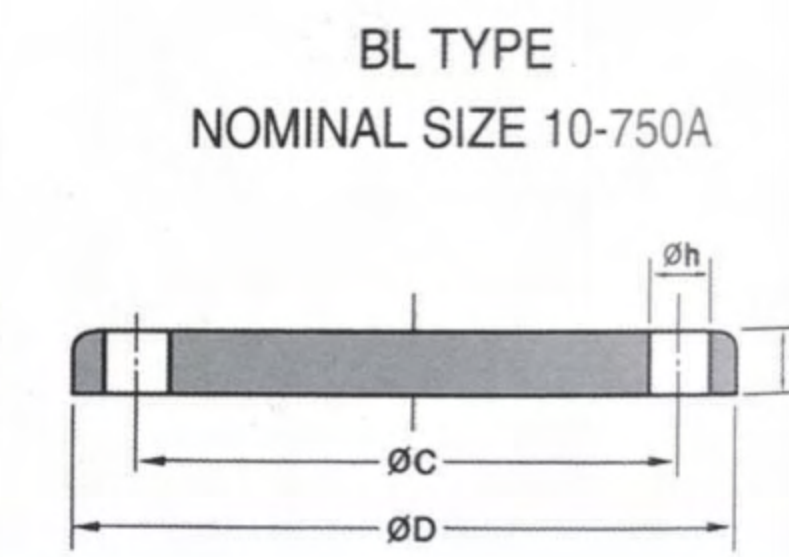
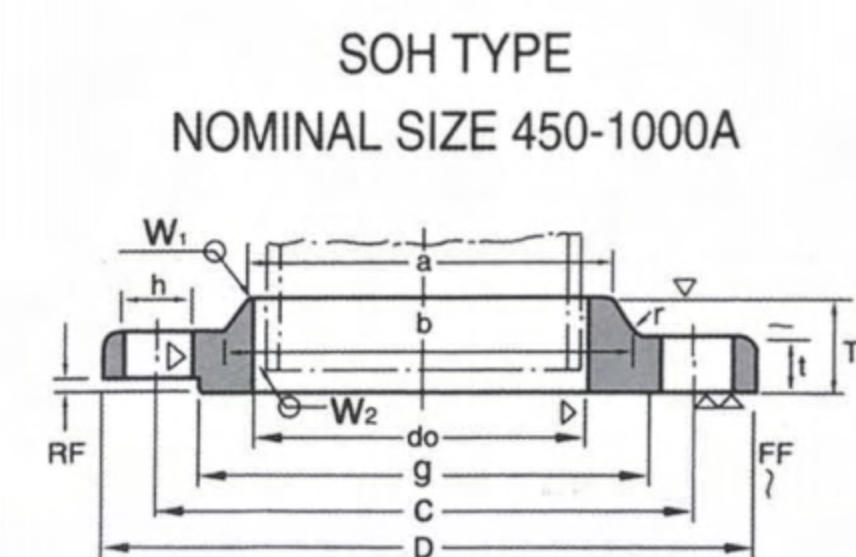
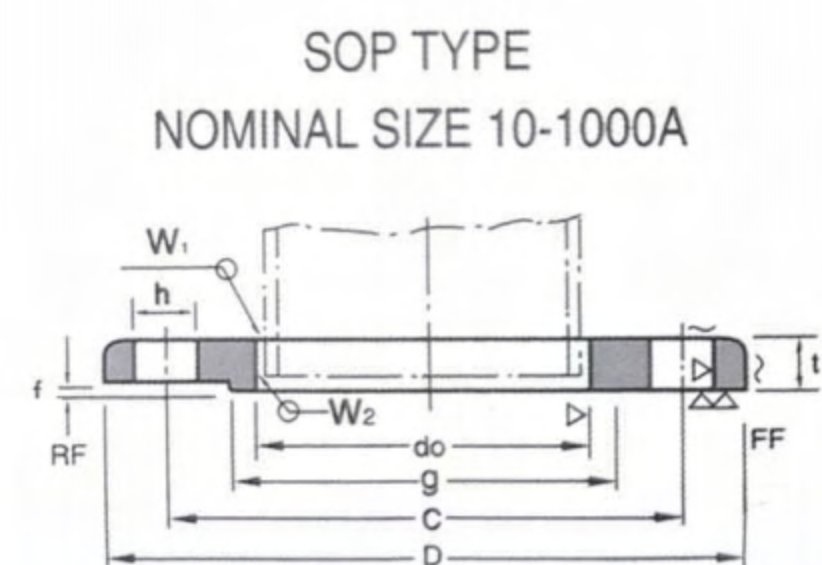
DIN 16BAR FLANGE



Din 16Bar			DIN2576 Slip On Flange															DIN2527 Blind Flange			DIN2632 Welding Neck Flange		
Bore		Common Dimension			Hub				Raised Face		Drilling		Approx.Weight(Kg)										
DN	d1	d5	D	B			K	h1	d3	S	R	h2	d4	F	Number of Bolt	d2	Din 2502	Din 2633	Din 2527				
				Welding neck	Slip On	Blind																	
10	14	14.5	90	14	14	14	60	35	25	1.8	4	6	40	2	4	14	0.613	0.58	0.63				
		17.2																		17.7	28		
15	20	21	95	14	14	14	65	35	30	2	4	6	45	2	4	14	0.675	0.648	0.72				
		21.3																		22	32		
20	25	26	105	16	16	16	75	38	38	2.3	4	6	58	2	4	14	0.943	0.952	1.01				
		26.9																		27.6	40		
25	30	31	115	16	16	16	85	38	42	2.6	4	6	68	2	4	14	1.14	1.14	1.23				
		33.7																		34.4	45		
32	38	39	140	16	16	16	100	40	52	2.6	6	6	78	2	4	18	1.66	1.69	1.8				
		42.4																		43.1	56		
40	44.5	45.5	150	16	16	16	110	42	60	2.6	6	7	88	3	4	18	1.89	1.86	2.09				
		48.3																		49	64		
50	57	58.1	165	18	18	18	125	45	72	2.9	6	8	102	3	4	18	2.51	2.53	2.88				
		60.3																		61.1	75		
65	76.1	77.1	185	18	18	18	145	45	90	2.9	6	10	122	3	4	18	3	3.06	3.66				
80	88.9	90.3	200	20	20	20	160	50	105	3.2	8	10	138	3	8	18	3.79	3.7	4.77				
100	108	109.6	220	20	20	20	180	52	125	3.6	8	12	158	3	8	18	4.2	4.62	5.65				
		114.3																		115.9	131		
125	133	134.8	250	22	22	22	210	55	150	4	8	12	188	3	8	18	5.71	6.3	8.42				
		133.7																		141.6	156		
150	159	161.1	285	22	22	22	240	55	175	4.5	10	12	212	3	8	22	6.72	7.75	10.4				
		168.3																		170.5	184		
175	193.7	196.1	315	24	24	24	270	60	210	5.4	10	12	242	3	8	22	8.45	9.85	14				
200	219.1	221.8	340	24	24	24	295	62	235	5.9	10	16	268	3	12	22	9.31	11	16.1				
250	267	270.2	405	26	26	26	355	70	285	6.3	12	16	320	3	12	26	19.4	15.6	24.9				
		273																		276.2	292		
300	323.9	327.6	460	28	28	28	410	78	344	7.1	12	16	378	4	12	26	17.4	22	35.1				

JIS10K FLANGE

10Kg/Cm2 JIS B2220-1984(KSB 1503-1999)

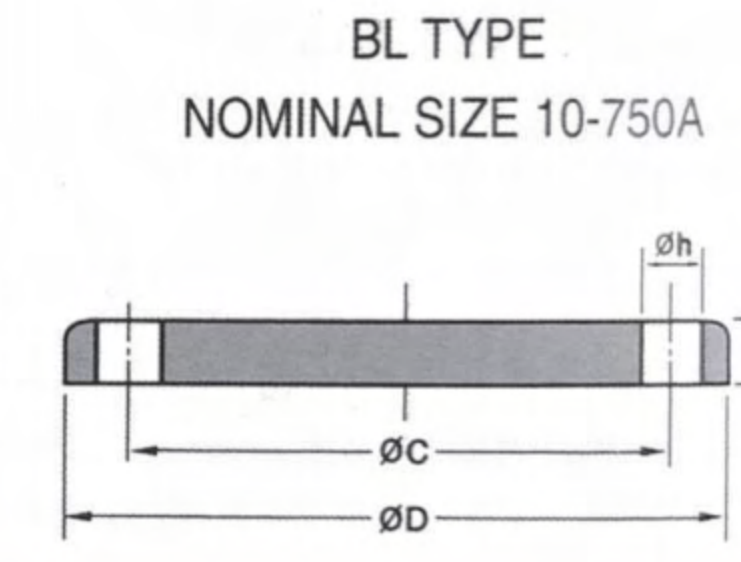
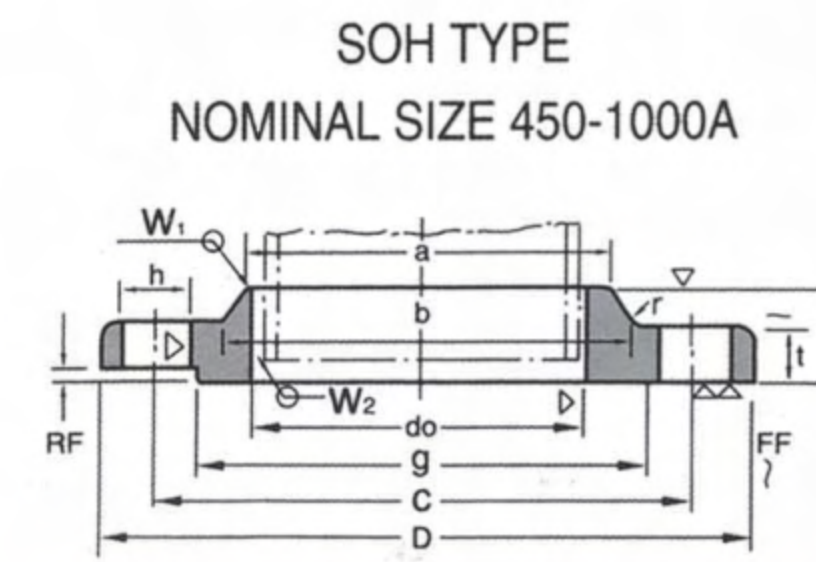
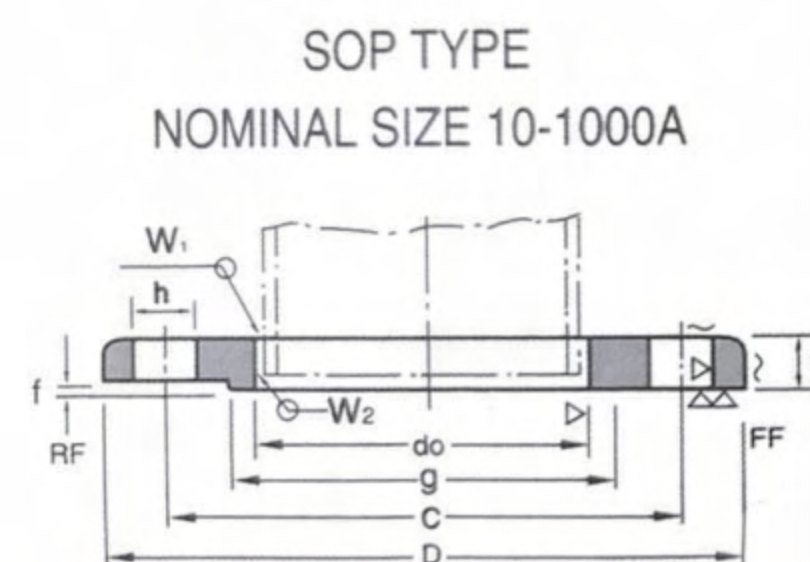


Normal Thickness Flange																		
Normal Dia of flange	Outside Dia of Steel Pipe	Inside Dia of Flange do	Outside Dia of Flange D	Sectional Dimensions of Flange							Dia. of Bolt				Nominal Bolt Size	Weight(kg)		
				t	T	Diam. of Hub		Radius r	Raised Face f	Dia of Raised Face g	Bolt Circle Dia C	Number of Bolt Holes	Hole Dia h	SOP		BL	SOH	
						a	b											
10	17.3	17.8	90	12	-	-	-	-	1	46	65	4	15	M12	0.52	0.54	-	
15	21.7	22.2	95	12	-	-	-	-	1	51	70	4	15	M12	0.57	0.61	-	
20	27.2	27.7	100	14	-	-	-	-	1	56	75	4	15	M12	0.73	0.79	-	
25	34	34.5	125	14	-	-	-	-	1	67	90	4	19	M16	1.13	1.24	-	
32	42.7	43.2	135	16	-	-	-	-	2	76	100	4	19	M16	1.48	1.66	-	
40	48.6	49.1	140	16	-	-	-	-	2	81	105	4	19	M16	1.56	1.81	-	
50	60.5	61.1	155	16	-	-	-	-	2	96	120	4	19	M16	1.88	2.23	-	
65	76.3	77.1	175	18	-	-	-	-	2	116	140	4	19	M16	2.60	3.3	-	
80	89.1	90	185	18	-	-	-	-	2	126	150	8	19	M16	2.61	3.5	-	
(90)	101.6	102.6	195	18	-	-	-	-	2	136	160	8	19	M16	2.76	4	-	
100	114.3	115.4	210	18	-	-	-	-	2	151	175	8	19	M16	3.14	4.6	-	
125	139.8	141.2	250	20	-	-	-	-	2	182	210	8	23	M20	4.77	7.3	-	
150	165.2	166.6	280	22	-	-	-	-	2	212	240	8	23	M20	6.34	10.1	-	
(175)	190.7	192.1	305	22	-	-	-	-	2	237	265	12	23	M20	6.82	11.8	-	
200	216.3	218	330	22	-	-	-	-	2	262	290	12	23	M20	7.53	14.0	-	
225	241.8	243.7	350	22	36	288	-	-	2	282	310	12	23	M20	7.74	15.8	-	
(250)	267.4	269.5	400	24	38	340	292	6	2	324	355	12	25	M22	11.8	22.7	12.7	
300	318.5	321	445	24	-	-	346	6	3	368	400	16	25	M22	12.7	27.8	13.8	
350	355.6	358.1	490	26	42	380	386	6	3	413	445	16	25	M22	16.4	37.1	18.2	
400	406.4	409	560	28	44	436	442	6	3	475	510	16	27	M24	23	52.5	25.2	
450	457.2	460	620	30	48	496	502	6	3	530	565	20	27	M24	29.5	68.8	33	
500	508	511	675	30	48	548	554	6	3	585	620	20	27	M24	33.5	82.1	37.6	
(550)	558.8	562	745	32	52	604	610	6	3	640	680	20	33	M30	43.1	105.8	49.7	
600	609.6	613	795	32	52	656	662	6	3	690	730	24	33	M30	45.7	120.2	52.6	
(650)	660.4	664	845	34	56	706	712	6	3	740	780	24	33	M30	52.1	145.0	60.6	
700	711.2	715	905	34	58	762	770	6	3	800	840	24	33	M30	59.5	167.2	70.6	
(750)	762	766	970	36	62	816	824	6	3	855	900	24	33	M30	73.2	204.2	85.8	
800	812.8	817	1020	36	64	868	876	6	3	905	950	28	33	M30	76.4	225.4	91.2	
(850)	863.6	868	1070	36	66	920	928	6	3	955	1000	28	33	M30	80.7	248.8	98.6	
900	914.4	919	1120	38	70	971	979	6	3	1005	1050	28	33	M30	89.4	288.4	109.0	
1000	1016	1021	1235	40	74	1073	1081	6	3	1110	1160	28	39	M36	109.2	367.7	133	
(1100)	1117.6	1123	1345	42	76	-	-	-	3	1220	1270	28	39	M36	131.6	460.0	-	
*1200	1219.2	1225	1465	44	78	-	-	-	3	1325	1380	32	39	M36	163.5	572.2	-	
*1350	1371.6	-	1630	48	82	-	-	-	3	1480	1540	36	45	M42	204.7	769	-	
*1500	1524	-	1795	50	90	-	-	-	3	1635	1700	40	45	M42	250.2	974.9	-	

1.Flanges of parenthesized nominal diameter had letter not be used.
 2.The facing of flanges shall conform to KS B1509(JIS B2202)1984.
 3.Nominal diameter over 1000 is manufacturer's standard.

JIS5K FLANGE

5Kg/Cm² JIS B2220-1984(KSB 1503-1999)



Normal Bore of flange	Outside Diam of Applicable Pipe	Inside Dia of Flange	Outside Dia of Flange	Sectional Dimensions of Flange							Dia.of Bolt			Nominal Bolt Size	Weight(kg)		
				t	T	Dia of Hub		Radius	Raised Face	Dia of Raised Face	Dia of Bolt Circle	Number of Bolt Holes	Hole Dia		SOP	BL	SOH
						a	b										
10	17.3	17.8	75	9	-	-	-	-	1	39	55	4	12	M10	0.27	0.3	-
15	21.7	22.2	80	9	-	-	-	-	1	44	60	4	12	M10	0.3	0.4	-
20	27.2	27.7	85	10	-	-	-	-	1	49	65	4	12	M10	0.37	0.5	-
25	34	34.5	95	10	-	-	-	-	1	59	75	4	12	M10	0.45	0.6	-
32	42.7	43.2	115	12	-	-	-	-	2	70	90	4	15	M12	0.78	0.9	-
40	48.6	49.1	120	12	-	-	-	-	2	75	95	4	15	M12	0.86	1.0	-
50	60.5	61.1	130	14	-	-	-	-	2	85	105	4	15	M12	1.07	1.4	-
65	76.3	77.1	155	14	-	-	-	-	2	110	130	4	15	M12	1.49	2.0	-
80	89.1	90	180	14	-	-	-	-	2	121	145	4	19	M16	1.99	2.7	-
(90)	101.6	102.6	190	14	-	-	-	-	2	131	155	4	19	M16	2.09	3.0	-
100	114.3	115.4	200	16	-	-	-	-	2	141	165	8	19	M16	2.39	3.7	-
125	139.8	141.2	235	16	-	-	-	-	2	176	200	8	19	M16	3.23	5.2	-
150	165.2	166.6	265	18	-	-	-	-	2	206	230	8	19	M16	4.41	7.5	-
(175)	190.7	192.1	300	18	-	-	-	-	2	232	260	8	23	M20	5.51	9.5	-
200	216.3	218	320	20	-	-	-	-	2	252	280	8	23	M20	6.33	12.2	-
(225)	241.8	243.7	345	20	-	-	-	-	2	277	305	12	23	M20	6.64	14.0	-
250	267.4	269.5	385	22	-	-	-	-	2	317	345	12	23	M20	9.45	19.3	-
300	318.5	321	430	22	-	-	-	-	3	360	390	12	23	M20	10.3	24.3	-
350	355.6	358.1	480	24	-	-	-	-	3	403	435	12	25	M22	14	33.2	-
400	406.4	409	540	24	-	-	-	-	3	463	495	16	25	M22	16.9	41.9	-
450	457.2	460	605	24	40	495	500	5	3	523	555	16	25	M22	21.6	53.0	24.8
500	508	511	655	24	40	546	552	5	3	573	605	20	25	M22	23.1	61.9	26.9
(550)	558.8	562	720	26	42	597	603	5	3	630	665	20	27	M24	30.3	81.2	34.1
600	609.6	613	770	26	44	648	654	5	3	680	715	20	27	M24	32.7	93.2	37.5
(650)	660.4	664	825	26	48	702	708	5	3	735	770	24	27	M24	35.9	106.9	42.8
700	711.2	715	875	26	48	751	758	5	3	785	820	24	27	M24	38.2	120.6	45.4
(750)	762	766	945	28	52	802	810	5	3	840	880	24	33	M30	48.7	150.5	57.4
800	812.8	817	995	28	52	854	862	5	3	890	930	24	33	M30	51.2	167.4	60.8
(850)	863.6	868	1045	28	54	904	912	5	3	940	980	24	33	M30	54.4	185.1	63.5
900	914.4	919	1095	30	56	956	964	5	3	990	1030	24	33	M30	61.1	218.1	75.3
1000	1016	1021	1195	32	60	1058	1066	5	3	1090	1130	28	33	M30	70.5	277.3	88.5
(*1100)	1117.6	1123	1305	32	-	-	-	-	3	1200	1240	28	33	M30	81.7	331.9	-
*1200	1219.2	1225	1420	34	-	-	-	-	3	1305	1350	32	33	M30	102.0	417.8	-
*1350	1371.6	-	1575	34	-	-	-	-	3	1460	1505	32	33	M30	115.9	515.6	-
*1500	1524	-	1730	36	-	-	-	-	3	1615	1660	36	33	M30	157.4	659.2	-

1.Flanges of parenthesized nominal diameter had letter not be used
 2.The facing of flanges shall conform to KS B1509(JIS B2202)1984
 3.Nominal diameter over 1000 is manufacturer's standard(*).